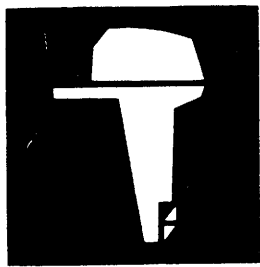


YAMAHA

parts list 1980



outboard
motor

15B

15C

serial no.

15B S : 001751 and up

L : 302001 and up

SUL : 800101 and up

15C S : 003636 and up

L : 304901 and up

SUL : 800351 and up

INTERCHANGEABILITY MARK

Whether or not there is interchangeability between the parts having the previous and new parts numbers is indicated by interchangeability marks.

Ref.No.	Parts No.	Description	Q'ty
▶ 1	* 684-42610-02-F6	TOP COWLING ASS'Y	1
◀ *	684-42610-01-F6	TOP COWLING ASS'Y	1
2	682-W0070-01	. GRAPHIC SIDE SET	1s
3	682-42677-00	. GRAPHIC, front	1

Interchangeability Mark

* Indicates new parts number

▶ } This mark is indicated serial number of marginal notes.

Mark A : The both new and previous parts are able to use for either previous or new engines.

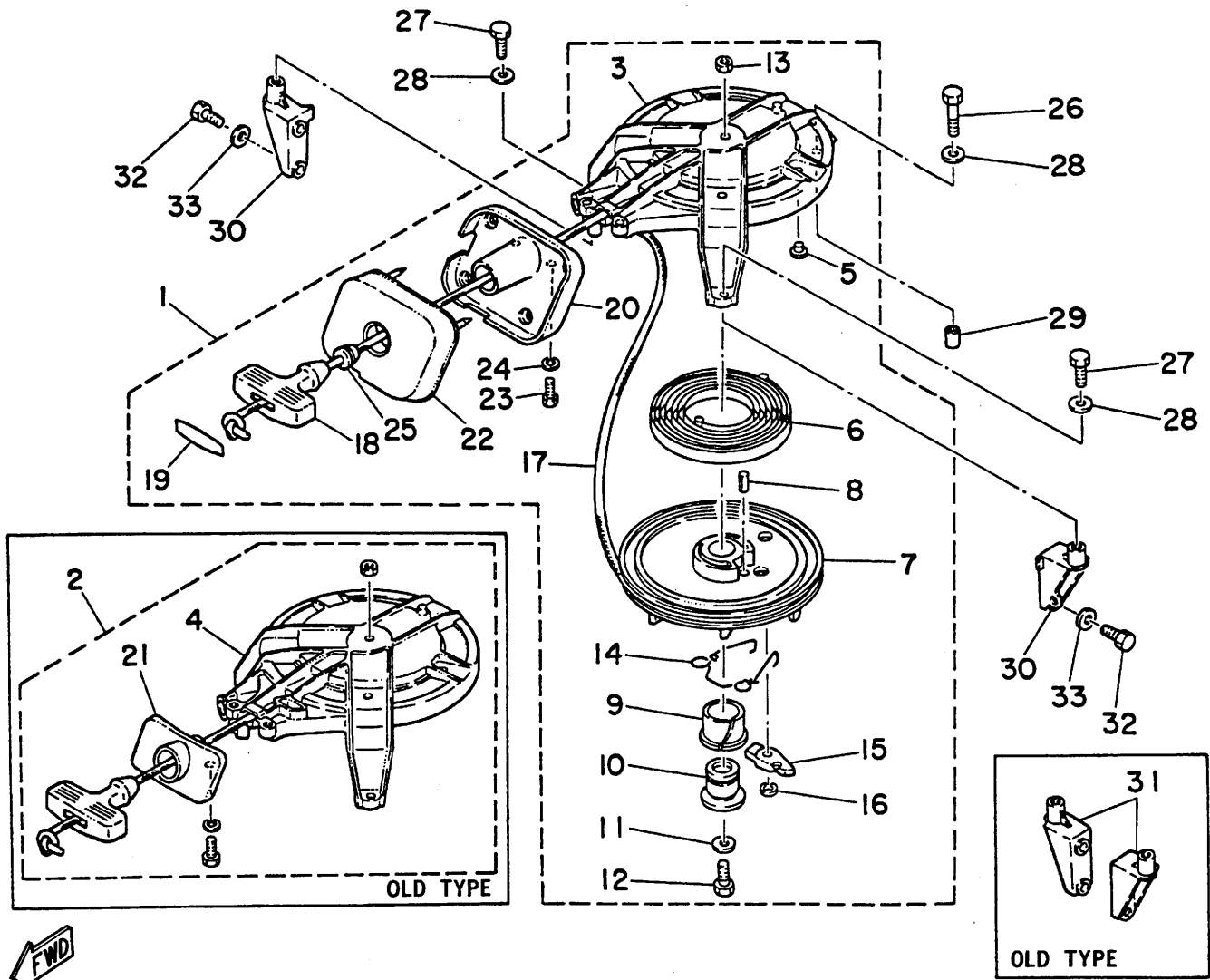
Mark B : Not interchangeable, refer to serial number of marginal notes for ordering or using of parts.

Mark C : Interchangeable, but the previous parts are not able to use for new engines.

REPAIR KIT

POWER HEAD GASKET KIT	682-W0001-01
LOWER UNIT GASKET KIT - 15B Model	682-W0001-21
LOWER UNIT GASKET KIT - 15C Model	683-W0001-21
REED SET	682-W0004-00
WATER PUMP REPAIR KIT	682-W0078-00
CHROME PUMP KIT	682-W0078-0A
SAFETY STARTER KIT	682-W0079-00
CRANK CYLINDER ASS'Y	684-W0090-01
CARBURETOR REPAIR SET	677-W0093-00
PISTON ASS'Y (Standard)	682-11630-00
PISTON ASS'Y (Over Size 56.25mm)	682-11630-10
PISTON ASS'Y (Over Size 56.50mm)	682-11630-20
LOWER UNIT ASS'Y (Short) - 15B Model	682-45300-00-F6
LOWER UNIT ASS'Y (Long) - 15B Model	682-45300-10-F6
LOWER UNIT ASS'Y (Short) - 15C Model	683-45300-00-F6
LOWER UNIT ASS'Y (Long) - 15C Model	683-45300-10-F6

Fig. 1 STARTER -1980

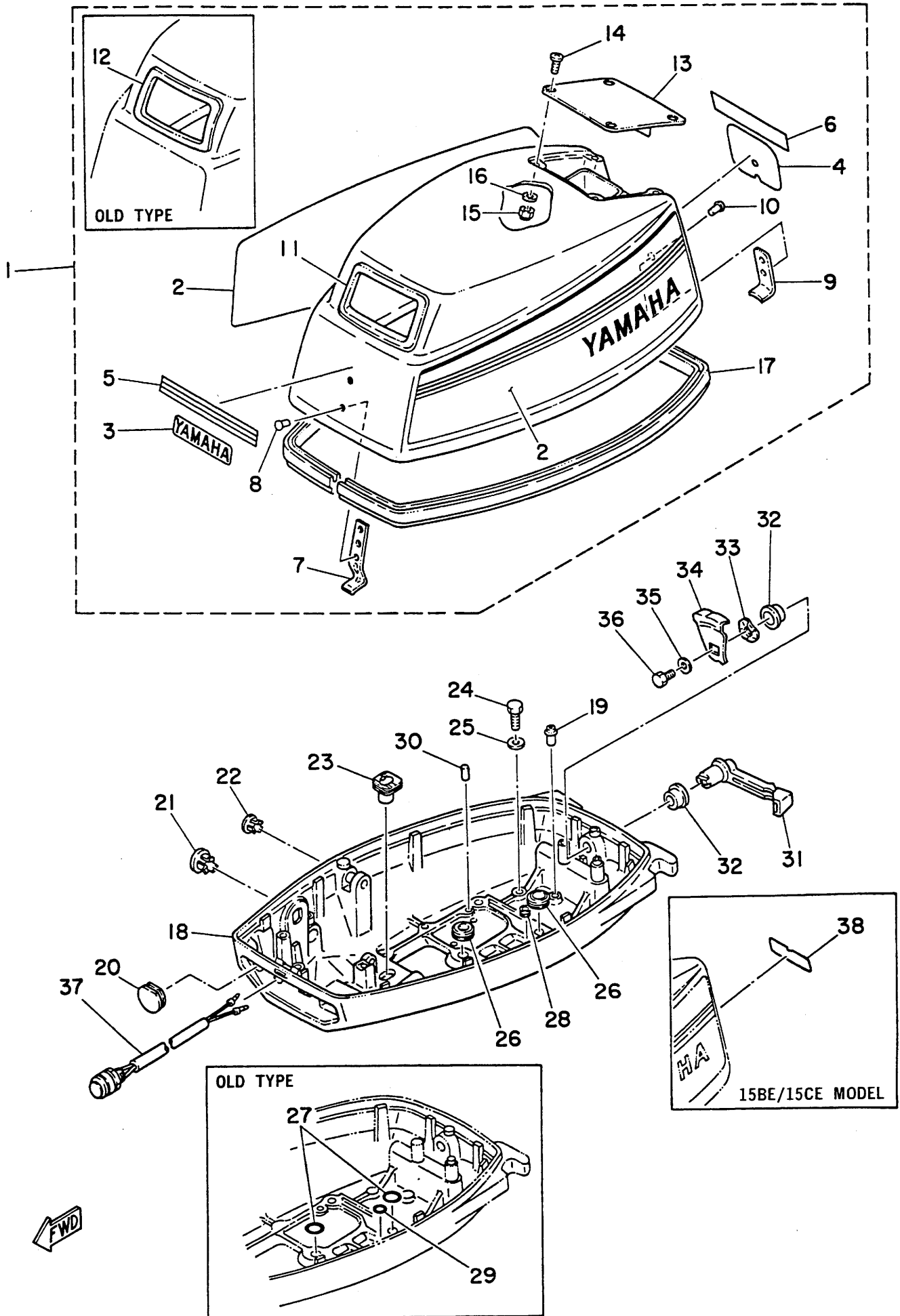


Ref.No.	Parts No.	Description	Q'ty	Ref.No.	Parts No.	Description	Q'ty
▶ 1	* 677-15710-01-F6	STARTER ASS'Y	1	17	*	WIRE (1650mm)	1
◀ 2	677-15710-00-F6	STARTER ASS'Y	1	18	619-15755-01	HANDLE, starter	1
▶ 3	* 682-15711-71-94	CASE, starter	1	19	689-15779-00	COVER	1
◀ 4	677-15711-00-94	CASE, starter	1	▶ 20	* 677-15758-01-F6	GUIDE, wire	1
5	648-15773-00	STAY 3	1	◀ 21	677-15758-00-F6	GUIDE, wire	1
6	90510-08002	SPRING, spiral	1	▶ 22	* 677-15762-00	SEAL, rubber 2	1
7	677-15714-00-94	DRUM, sheave	1	23	97313-06016	BOLT	2
8	91690-40020	PIN, spring	1	24	92903-06100	WASHER	2
9	90386-25M05	BUSHING	1	▶ 25	* 6A0-15789-00	DAMPER	1
10	677-15717-00	SHAFT	1	26	97313-06035	BOLT	1
11	90201-06060	WASHER (6ø-18ø-1.6mm)	1	27	97313-06020	BOLT	2
12	97313-06020	BOLT	1	28	92903-06600	WASHER	3
13	95303-06600	NUT	1	29	91830-21014	PIN, dowel A (6.4ø-10ø-14mm)	1
14	677-15705-01	SPRING, drive pawl	1	▶ 30	* 682-15771-01-94	STAY	2
15	677-15741-01	PAWL, drive	1	◀ 31	682-15771-00-94	STAY	2
16	93430-06M02	CIRCLIP (E-6ø)	1	32	97313-06020	BOLT	4
				33	92903-06600	WASHER	4

◀ 15B S: 004180 and below
 L: 304015 and below
 15C S: 008130 and below
 L: 308630 and below
 SUL: 800605 and below
 15E S: 250115 and below
 L: 550115 and below
 15CE S: 250660 and below
 L: 551010 and below
 SUL: 880145 and below
 ▶ 15B S: 004181 and up
 L: 304016 and up
 SUL: 800101 and up
 15C S: 008131 and up
 L: 308631 and up
 SUL: 800606 and up
 15E S: 250116 and up
 L: 550116 and up
 SUL: 800101 and up
 15CE S: 250661 and up
 L: 551011 and up
 SUL: 880146 and up

* New parts number
 † Cut from 50m roll, Parts No. 90890-44373, cutting length 1.65m.

Fig. 2 COWLING - 1980



COWLING - 1980

Ref.No.	Parts No.	Description	Q'ty	Ref.No.	Parts No.	Description	Q'ty
▶ 1 *	684-42610-02-F6	TOP COWLING ASS'Y	1	19	650-24378-00	PIPE, joint	1
◀ ※	684-42610-01-F6	TOP COWLING ASS'Y	1	20	682-42724-00	GROMMET 1	1
2	682-W0070-01	GRAPHIC SIDE SET	1S	21	682-42725-01	GROMMET 2	1
3	682-42677-00	GRAPHIC, front	1	22	682-42726-00	GROMMET 3	1
4	684-42678-00	GRAPHIC, rear	1	▶ 23 *	682-42727-00	GROMMET 4	1 A
5	682-42681-00	MARK, cowling 1	1	24	97313-06020	BOLT	2
6	682-42682-00	MARK, cowling 2	1	25	92903-06600	WASHER	2
7	682-42651-01	HOOK 1	1	▶ ■ 26 *	682-44367-00	RUBBER, water seal 3	2 } A
8	90266-04M00	RIVET	2	◀ ■ 27	93210-12M11	O-RING (3.5φ-12.0φ)	2 } A
9	682-42652-00	HOOK 2	1	▶ ■ 28 *	682-44366-00	RUBBER, water seal 2	1 } A
10	90266-04004	RIVET	2	◀ ■ 29	93210-04M12	O-RING (3.5φ-3.5φ)	1 } A
▶ 11 *	682-15761-01	SEAL, rubber 1	1	30	93606-12019	PIN, dowel B (6φ-12mm)	2
◀ 12	682-15761-00	SEAL	1	31	682-42815-00-F6	LEVER, clamp 1	1
13	682-42613-00-F6	MOLDING, air duct	1	32	90386-12069	BUSHING	2
14	98980-04012	SCREW, bind	4	33	90206-12052	WASHER, wave (12.5φ-19φ-0.5mm)	1
15	95602-04100	NUT U	4	34	682-42816-00	LEVER, clamp 2	1
16 *	811-77436-00	WASHER	4	35	90201-06068	WASHER (6.5φ-20φ-2.0mm)	1
※	90201-04015	WASHER (4.1φ-8φ-1.0mm)	4	36	97313-06010	BOLT	1
17	682-42615-00	SEAL	1	37	664-82550-01	STOP SWITCH ASS'Y	1
▶ 18 *	682-42711-02-F6	COWLING, bottom	1	38	682-42683-00	MARK, cowling 3 (15BE/15CE Model)	1
◀ ※	682-42711-01-F6	COWLING, bottom	1				

▶ { 15B S: 004180 and below L: 304015 and below 15C S: 008130 and below L: 308630 and below SUL: 800605 and below	15BE S: 250115 and below L: 550115 and below 15CE S: 250660 and below L: 551010 and below SUL: 880145 and below
---	---

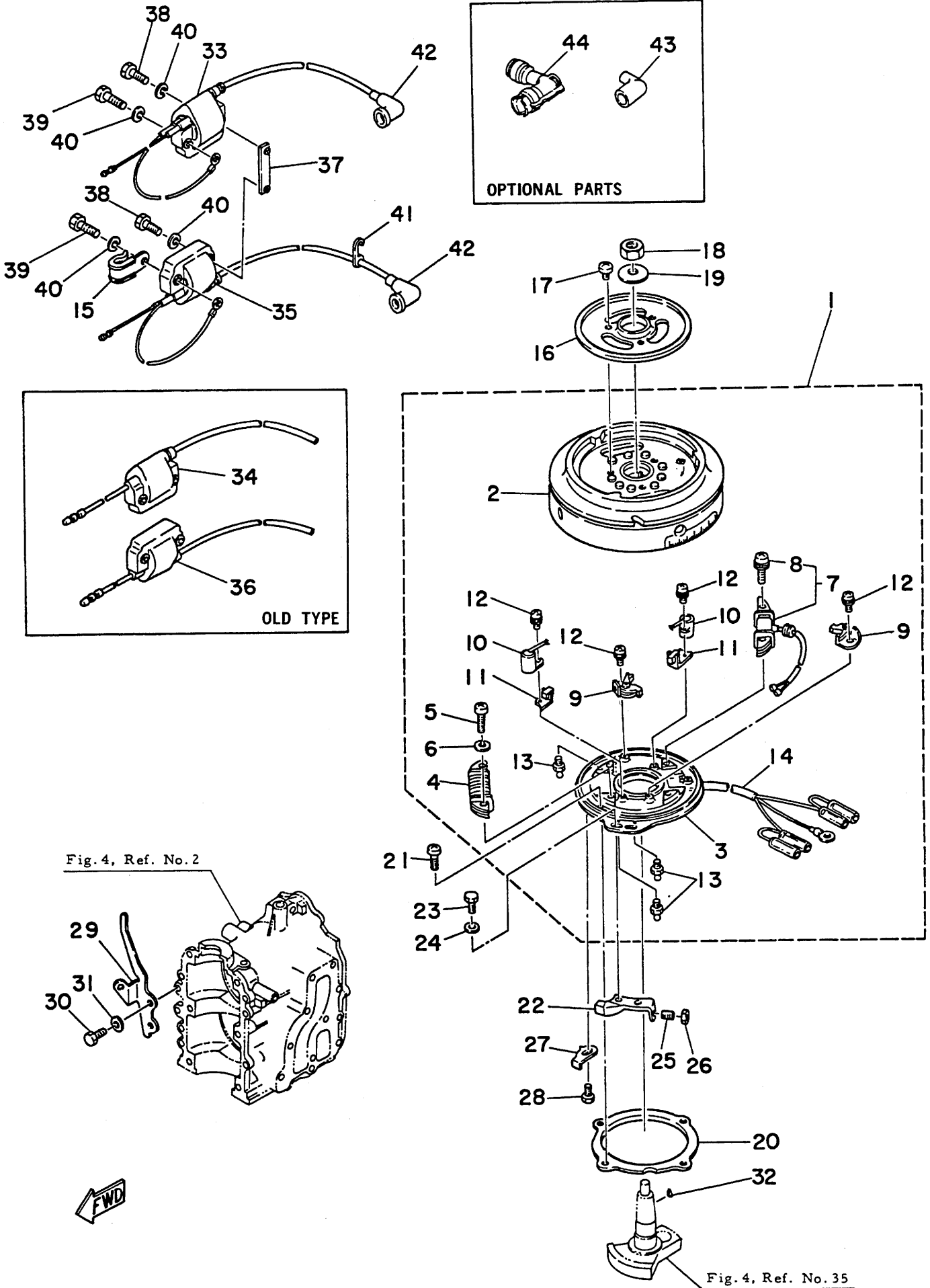
▶ { 15B S: 004181 and up L: 304016 and up SUL: 800101 and up 15C S: 008131 and up L: 308631 and up SUL: 800606 and up	15BE S: 250116 and up L: 550116 and up SUL: 800101 and up 15CE S: 250661 and up L: 551011 and up SUL: 880146 and up
--	--

* New parts number

※ Not shown

■ Contents of power head gasket kit (Parts No. 682-W0001-01)

Fig. 3 FLYWHEEL MAGNETO - 1980



FLYWHEEL MAGNETO - 1980

Ref.No.	Parts No.	Description	Q'ty		Ref.No.	Parts No.	Description	Q'ty
▶ 1 *	682-81300-62	FLYWHEEL MAGNETO ASS'Y	1	}c	23	97313-05010	BOLT	2
◀ ※	682-81300-61	FLYWHEEL MAGNETO ASS'Y	1		24	92903-05600	WASHER	2
2	682-81350-11	. ROTOR ASS'Y	1		25	90113-05M00	BOLT	1
3	682-81309-10	. BASE, magneto	1		26	95380-05700	NUT	1
4	677-81311-10	. COIL, ignition	1	27	682-41616-00	STOPPER, magneto base 2	1	
5	97801-05025	. SCREW, panhead	2	28 *	97390-05010	BOLT	1	}A
6	92903-05100	. WASHER	2	※	97370-05010	BOLT	1	
7	677-81303-60	. LIGHTING COIL ASS'Y	1	29	682-81332-02	PLATE, timing	1	
8	97801-05025	. SCREW (M5-25mm)	2	30	97313-06016	BOLT	2	
9	650-81321-10	. CONTACT BREAKER ASS'Y	2	31	92903-06600	WASHER	2	
10	647-81325-11	. CONDENSER	2	32	90280-05013	KEY, woodruff	1	
11	207-81331-10	. LUBRICATOR	2	▶ 33 *	677-82310-12	IGNITION COIL ASS'Y	1	}A
12	164-81246-21	. SCREW	4	◀ 34	677-82310-11	IGNITION COIL ASS'Y	1	
▶ 13	663-85518-00	. JOINT, ball	3	▶ 35 *	677-82320-12	IGNITION COIL ASS'Y	1	}A
◀ ※	663-85518-00	. JOINT, ball	2	◀ 36	677-82320-11	IGNITION COIL ASS'Y	1	
14	682-81315-11	. LEAD WIRE ASS'Y	1	37	682-82316-00	BRACKET, ignition coil	1	
15	90465-06038	CLAMP	1	38	97313-06030	BOLT	2	
16	682-81362-01	COVER, hole	1	39	97313-06025	BOLT	2	
17	97803-06010	SCREW, panhead	3	40	92903-06100	WASHER	4	
18	90170-12066	NUT	1	41	90464-07015	CLAMP	1	
19	90201-12472	WASHER (12.20-260-3.2mm)	1	42	663-82370-01	PLUG CAP ASS'Y	2	
▶ 20 *	682-41613-01	PLATE, base friction	1	OPTIONAL PARTS				
◀ ※	682-41613-00	PLATE, base friction	1	43	682-82370-00	PLUG CAP ASS'Y (Heatproof)	2	
21	97803-05008	SCREW, panhead	4	44	677-82370-00	PLUG CAP ASS'Y (Noise Suppressor)	2	
22	682-41213-01-94	CAM, accel.	1					

◀ { 15B S: 004180 and below
 L: 304015 and below
 15C S: 008130 and below
 L: 308630 and below
 SUL: 800605 and below

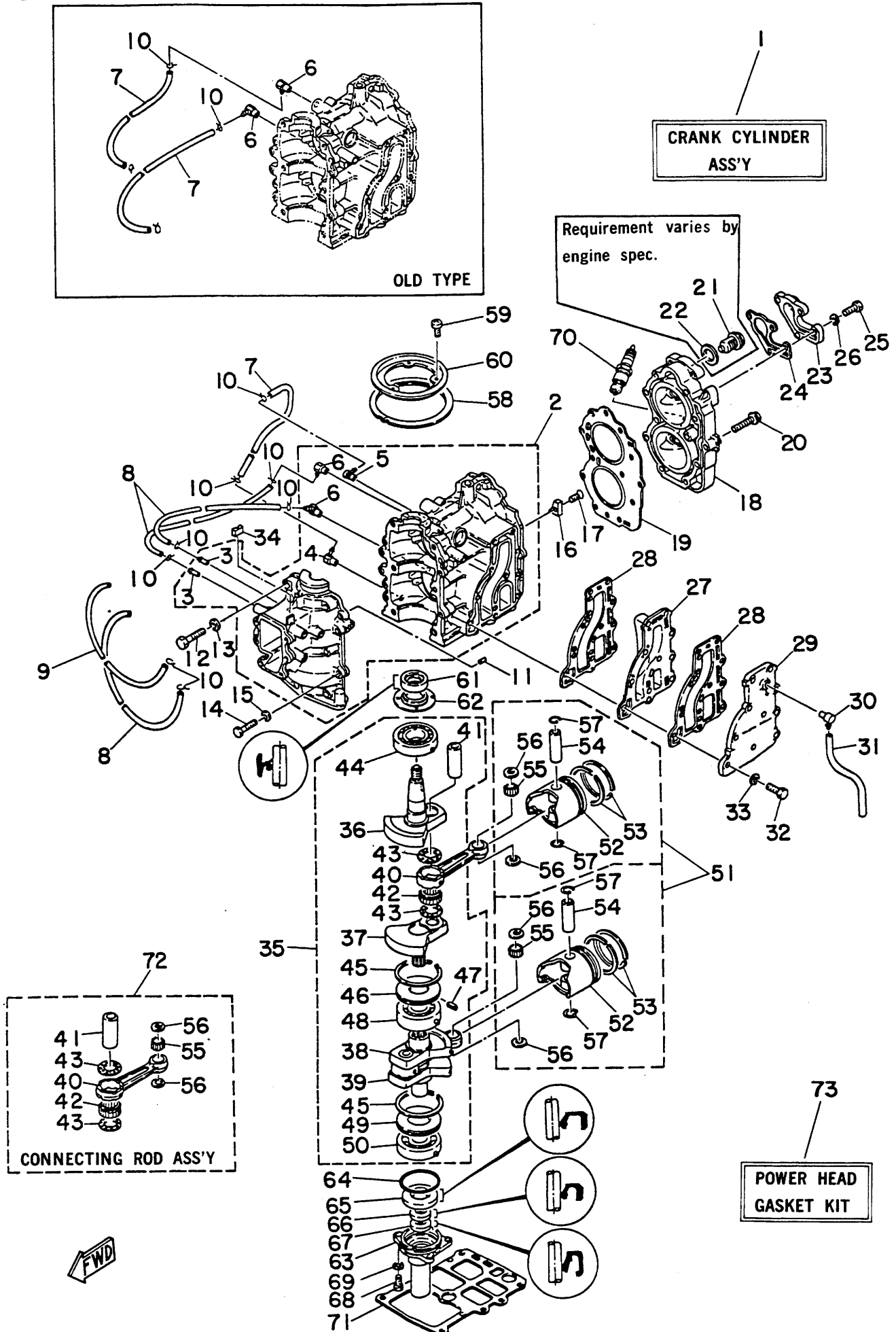
15BE S: 250115 and below
 L: 550115 and below
 15CE S: 250660 and below
 L: 551010 and below
 SUL: 880145 and below

▶ { 15B S: 004181 and up
 L: 304016 and up
 SUL: 800101 and up
 15C S: 008131 and up
 L: 308631 and up
 SUL: 800606 and up

15BE S: 250116 and up
 L: 550116 and up
 SUL: 800101 and up
 15CE S: 250661 and up
 L: 551011 and up
 SUL: 880146 and up

* New parts number
 ※ Not shown

Fig. 4 CRANKCASE, CYLINDER & PISTON -1980



CRANKCASE, CYLINDER & PISTON - 1980

Ref.No.	Parts No.	Description	Q'ty		Ref.No.	Parts No.	Description	Q'ty
▶ 1 *	684-W0090-01	CRANK CYLINDER ASS'Y (Ref. No. 2 to 69)	1	} B	40	650-11651-03	. ROD, connecting	2
◀ *	684-W0090-00	CRANK CYLINDER ASS'Y (Ref. No. 2 to 69)	1		41	682-11681-00	. PIN, crank	2
▶ 2 *	682-15100-01-94	CRANKCASE ASS'Y	1	} B	42	93310-62059	BEARING, big end	2
◀ *	682-15100-00-94	CRANKCASE ASS'Y	1		43	90209-20159	. WASHER (20.20-330-1mm)	4
3	624-14485-00	. PIPE, joint	2		44	93306-20514	BEARING (B6205)	1
4	650-11370-00	. CHECK VALVE ASS'Y	1		45	93440-57M01	. CIRCLIP (53.70 Special)	2
5	650-14485-02	. PIPE, joint	1		46	682-11515-01	. SEAL, labyrinth 1	1
▶ 6	646-11370-00	. CHECK VALVE ASS'Y	2	} B	47	91609-20008	. PIN, spring	1
◀ *	646-11370-00	. CHECK VALVE ASS'Y	4		48	93304-205U0	BEARING (B4205)	1
▶ 7	90445-07M08	HOSE (2.50-70-210mm)	1	} B	49	682-11525-00	. SEAL, labyrinth 2	1
◀ *	90445-07M08	HOSE (2.50-70-210mm)	3		50	93306-304U0	. BEARING (B6304)	1
▶ 8	90445-07255	HOSE (2.50-70-160mm)	4	} B	51	682-11630-00	PISTON ASS'Y (Standard)	2
◀ *	90445-07255	HOSE (2.50-70-160mm)	2		* 682-11630-10	PISTON ASS'Y (Over Size 56.25mm)	2	
▶ 9 *	90445-07M29	HOSE (2.50-70-135mm)	1	} B	* 682-11630-20	PISTON ASS'Y (Over Size 56.50mm)	2	
▶ 10	90467-06016	CLIP	8		52	682-11631-00-96	. PISTON (Standard 55.96mm)	} U.R. 2
◀ *	90467-06016	CLIP	10	682-11631-00-97	. PISTON (Standard 55.97mm)			
11	93606-12019	PIN, dowel B (60-12mm)	2	682-11631-00-98	. PISTON (Standard 55.98mm)			
12	97313-08040	BOLT	6		* 682-11635-00	. PISTON (Over Size 56.25mm)	2	
13	90201-08086	WASHER (8.10-15.50-2.3mm)	6		* 682-11636-00	. PISTON (Over Size 56.50mm)	2	
14	97313-06030	BOLT	4		53	682-11610-00	. PISTON RING SET (Standard)	2S
15	90201-06043	WASHER (6.40-12.50-2.0mm)	4		* 682-11610-10	. PISTON RING SET (Over Size 56.25mm)	2S	
16	682-11325-00	ANODE	1		* 682-11610-20	. PISTON RING SET (Over Size 56.50mm)	2S	
17 *	98780-05016	SCREW, flathead	1	} A	54	634-11633-00	. PIN, piston	2
* 18	98780-05015	SCREW, flathead	1		55	93602-14104	. BEARING, small end	50
19	684-11111-00-94	HEAD, cylinder	1		56	90201-14377	. WASHER (14.20-17.50-1.2mm)	4
■ 19	682-11181-00	GASKET, cylinder head	1		57	93450-15023	. CLIP, piston pin	4
20	90105-07M05	BOLT	11		58	682-41612-00	RETAINER, magneto base 2	1
21	677-12411-00	THERMOSTAT	1		59	97803-06010	SCREW, panhead	3
22	90201-21567	WASHER (21.50-27.50-2mm)	1		60	682-41611-00	RETAINER, magneto base 1	1
23	682-12413-00-94	COVER, thermostat	1		61	93110-23M00	OIL SEAL (SW0-230-360-13mm)	1
■ 24	682-12414-00	GASKET, cover	1		62	682-11445-00	SPACER	1
25	97313-06020	BOLT	4		63	682-15359-00-94	HOUSING, oil seal	1
26	92903-06600	WASHER	4		■ 64	93210-53M08	O-RING (1.90-530)	1
27	682-41111-00-94	INNER COVER, exhaust	1		65	93101-20M02	OIL SEAL (S-200-490-7mm)	1
■ 28	682-41112-00	GASKET, exhaust inner cover	2		▶ 66 *	93101-13M08	OIL SEAL (S-130-250-7mm)	2
29	682-41113-00-94	OUTER COVER, exhaust	1		▶ 67	93104-13051	OIL SEAL (SO-130-250-6mm)	1
30	676-11372-00	NIPPLE, hose 1	1		◀ *	93104-13051	OIL SEAL (SO-130-250-6mm)	2
31	90445-09095	HOSE (50-90-215mm)	1		68 *	97395-06016	BOLT	3
32	97315-06025	BOLT	10		* 69	97375-06016	BOLT	3
33	90201-06043	WASHER (6.40-12.50-2.0mm)	10		69	92990-06600	WASHER	3
34	682-41615-00	STOPPER, magneto base	1		70	94701-00040	PLUG, spark (B-7HS) NGK	2
35	682-11400-00	CRANK ASS'Y	1		▶ 71 *	682-11351-01	GASKET, cylinder	1
36	682-11412-00	. CRANK 1	1		◀ *	682-11351-00	GASKET, cylinder	1
37	682-11422-00	. CRANK 2	1		72	682-11650-01	CONNECTING ROD ASS'Y	2
38	682-11432-00	. CRANK 3	1		▶ 73 *	682-W0001-01	POWER HEAD GASKET KIT	1
39	682-11442-00	. CRANK 4	1		◀ *	682-W0001-00	POWER HEAD GASKET KIT	1

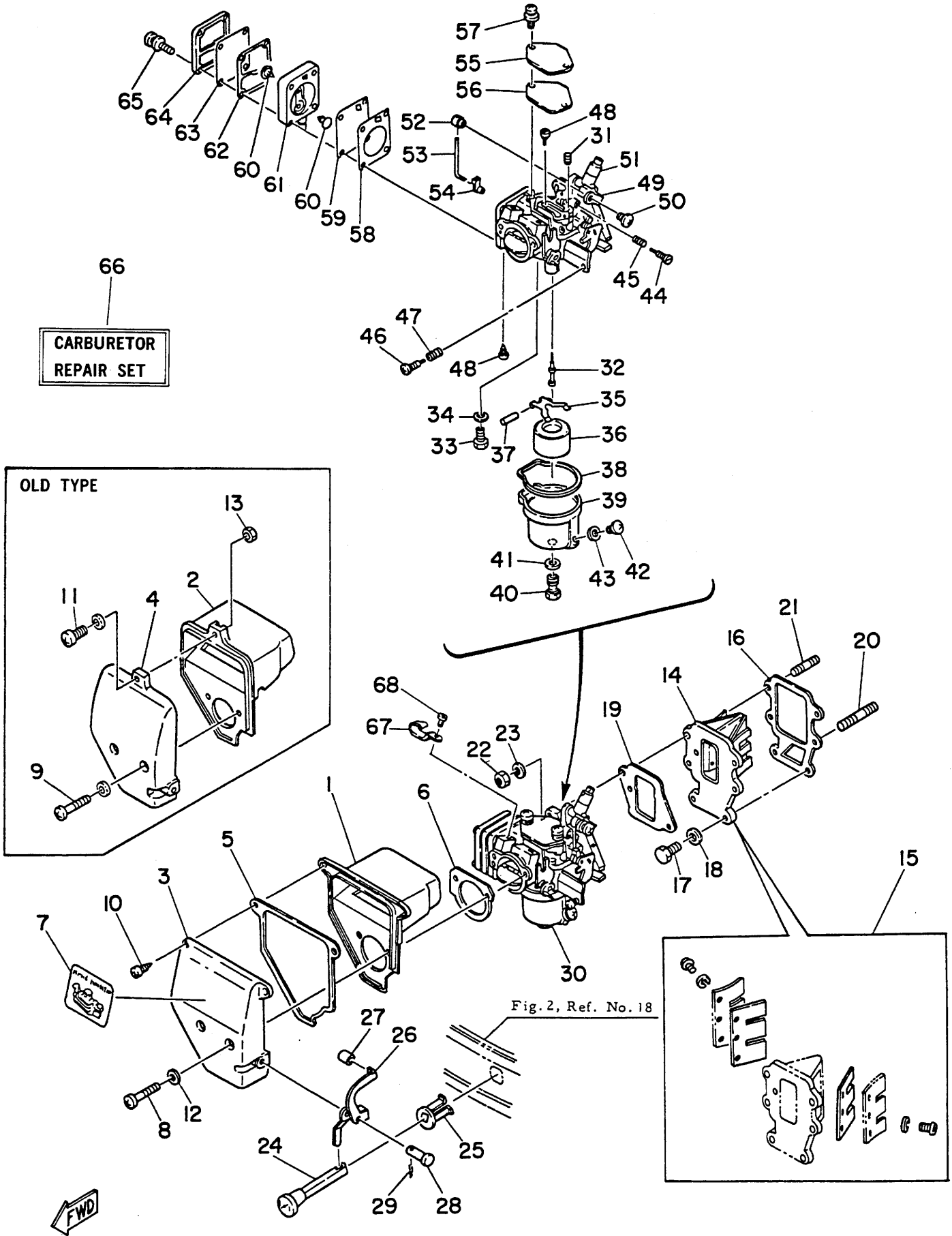
684181
(P-1798)

93101-13M08
93104-13051

15B S: 004180 and below L: 304015 and below 15C S: 008130 and below L: 308630 and below SUL: 800605 and below	15BE S: 250115 and below L: 550115 and below 15CE S: 250660 and below L: 551010 and below SUL: 880145 and below	15B S: 004181 and up L: 304016 and up SUL: 800101 and up 15C S: 008131 and up L: 308631 and up SUL: 800606 and up	15BE S: 250116 and up L: 550116 and up SUL: 880101 and up 15CE S: 250661 and up L: 551011 and up SUL: 880146 and up
---	---	--	--

* New parts number
 * Not shown
 ■ Contents of power head gasket kit

Fig. 5 INTAKE -1980



INTAKE - 1980

Ref.No.	Parts No.	Description	Q'ty		Ref.No.	Parts No.	Description	Q'ty
▶ 1 *	682-14417-02	COVER 1	1	} B	♣34	367-14195-00	. WASHER, valve seat	1
▶ 2	682-14417-01	COVER 1	1		♣35	626-14387-00	. ARM, float	1
▶ 3 *	682-14418-01	COVER 2	1	} B	♣36	647-14385-00	. FLOAT	1
▶ 4	682-14418-00	COVER 2	1		♣37	626-14386-00	. PIN, float	1
▶ 5 *	682-14416-00	GASKET	1	} B	♣38	677-14384-00	. GASKET, float chamber	1
▶ 6 *	682-14483-00	GASKET	1		39	677-14381-00	. BODY, float chamber	1
▶ 7 *	682-14488-01	STICKER, caution	1		40	677-14343-51	. JET, main (#102)	1
▶ *	682-14488-00	STICKER, caution	1	} B	♣41	1J2-14398-00	. GASKET	1
▶ 8 *	97890-05030	SCREW, panhead	2		42	97803-04005	. SCREW, panhead	1
▶ 9	97803-05030	SCREW, panhead	2	} B	♣43	655-14398-00	. GASKET	1
▶ 10 *	97780-50514	SCREW, panhead tapping	1		♣44	647-14323-00	. SCREW, air adjusting	1
▶ 11	97803-05016	SCREW, panhead	1	} B	45	646-14212-01	. SPRING, pilot adjusting	1
▶ 12 ✓	92903-05600	WASHER	2		46	650-14321-00	. SCREW, throttle	1
▶ *	92903-05600	WASHER	3	} B	47	654-14334-00	. SPRING, air adjusting	1
▶ 13	95303-05600	NUT	1		48	647-14326-00	. SCREW, guide	1
14	682-13610-00	REED VALVE ASS'Y	1	} B	49	682-41210-00	. ACCEL. ARM ASS'Y	1
15	682-W0004-00	. REED SET	1S		50	677-14327-00	. SCREW	1
■ 16	682-13621-00	PACKING, valve seat	1	} B	51	682-41291-00	. BUSHING 1	1
17	97313-06016	BOLT	4		52	677-41226-00	. END, throttle lever	1
18	92903-06600	WASHER	4	} B	53	682-41219-00	. ROD	1
♣19	677-14198-00	GASKET	1		54	661-41262-02	. JOINT, choke lever	1
20	90116-06M04	STUD	1	} B	55	677-14157-01	. PLATE	1
21	90116-06130	STUD	1		♣56	677-14227-01	. PACKING	1
22	95303-06700	NUT	2	} B	57	677-14325-00	. SCREW, panhead	2
23	92903-06600	WASHER	2		58	677-24434-01	. GASKET, pump 1	1
24	682-41271-00	KNOB, choke	1	} B	59	677-24411-01	. DIAPHRAGM, pump	1
25	682-41273-00	GROMMET 1	1		60	682-24421-00	. CHECK VALVE, pump	2
26	682-41252-01	LEVER, choke	1	} B	61	682-24412-00	. BODY, pump	1
27	682-41267-00	BUSHING, joint	1		62	677-24435-01	. GASKET, pump 2	1
28	682-41263-00	PIN, choke lever	1	} B	63	677-24471-01	. DIAPHRAGM	1
29	90468-10005	PIN, hair	1		64	677-24413-01	. COVER	1
▶ 30 *	684-14301-04	CARBURETOR ASS'Y	1	} B	65	677-24444-00	. SCREW	4
▶ *	684-14301-03	CARBURETOR ASS'Y	1		♣66	677-W0093-00	CARBURETOR REPAIR SET	1S
31	647-14342-25	. JET, pilot (#50)	1	} B	▶ 67 *	90465-08M06	CLAMP	1
32	684-14341-00	. NOZZLE, main	1		▶ 68 *	97890-05008	SCREW, panhead	1
♣33	626-14390-90	. VALVE SEAT ASS'Y	1					

97803
682/87

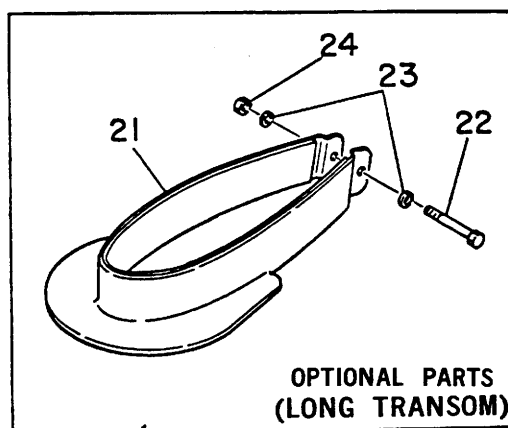
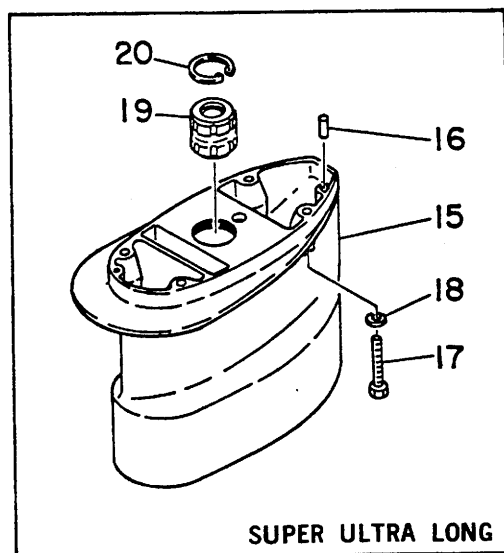
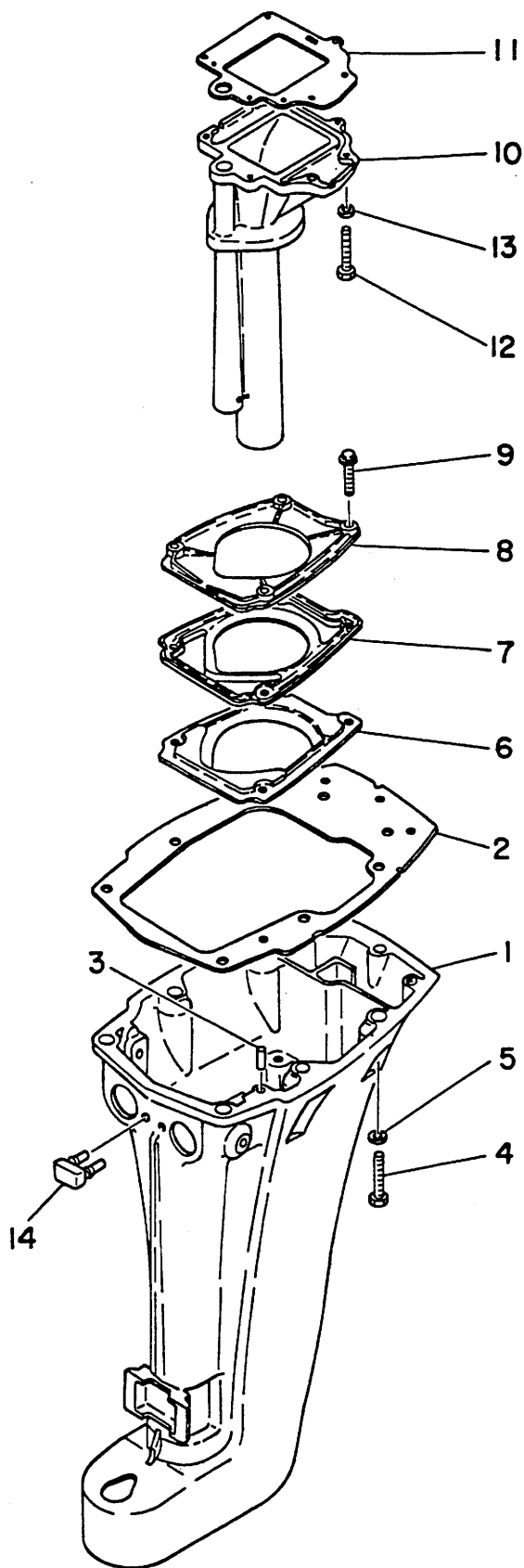
▶ { 15B S: 004180 and below
L: 304015 and below
15C S: 008130 and below
L: 308630 and below
SUL: 800605 and below

▶ { 15B S: 004181 and up
L: 304019 and up
SUL: 800101 and up
15C S: 008131 and up
L: 308631 and up
SUL: 800606 and up

▶ { 15BE S: 250116 and up
L: 550116 and up
SUL: 800101 and up
15CE S: 250661 and up
L: 551011 and up
SUL: 880146 and up

- * New parts number
- ※ Not shown
- Contents of power head gasket kit (Parts No. 682-W0001-01)
- ♣ Contents of carburetor repair set

Fig. 6 UPPER CASING -1980



UPPER CASING - 1980

Ref.No.	Parts No.	Description	Q'ty		Ref.No.	Parts No.	Description	Q'ty
1	682-45111-01-F6	CASING, upper (Short 353mm)	1					
*	682-45111-11-F6	CASING, upper (Long, Super Ultra Long 480mm)	1					
■▲ 2 *	682-45113-01	GASKET, upper casing	1	} C				
■▲ *	682-45113-00	GASKET, upper casing	1					
3	93606-12019	PIN, dowel B (6φ-12mm)	2					
4 *	97395-08040	BOLT	6	} A				
*	97375-08040	BOLT	6					
5	92990-08600	WASHER	6					
6	682-45126-00-94	PLATE, seal rubber	1					
7	682-45127-00	SEAL, rubber	1					
8	682-41116-00-94	PROTECTOR	1					
9	97475-06025	BOLT	4					
10	682-41131-00-94	MANIFOLD, exhaust	1					
▲11	682-41133-00	GASKET, exhaust manifold	1					
12 *	97395-06020	BOLT	6	} A				
*	97375-06020	BOLT	6					
13	92990-06600	WASHER	6					
14	682-44532-00	STOPPER	1					
SUPER ULTRA LONG								
15	682-45211-30-F6	EXTENSION (142mm)	1					
16	93606-12019	PIN, dowel B (6φ-12mm)	2					
17	97375-08035	BOLT	4					
18	92990-08600	WASHER	4					
19	90380-13M02	BUSHING	1					
20	93420-30042	CIRCLIP (R-30φ)	1					
OPTIONAL PARTS (LONG TRANSOM)								
21	682-45158-00-F6	PLATE, splash	1					
22 *	97395-06040	BOLT	1	} A				
*	97375-06040	BOLT	1					
23	92990-06600	WASHER	2					
24	95380-06700	NUT	1					

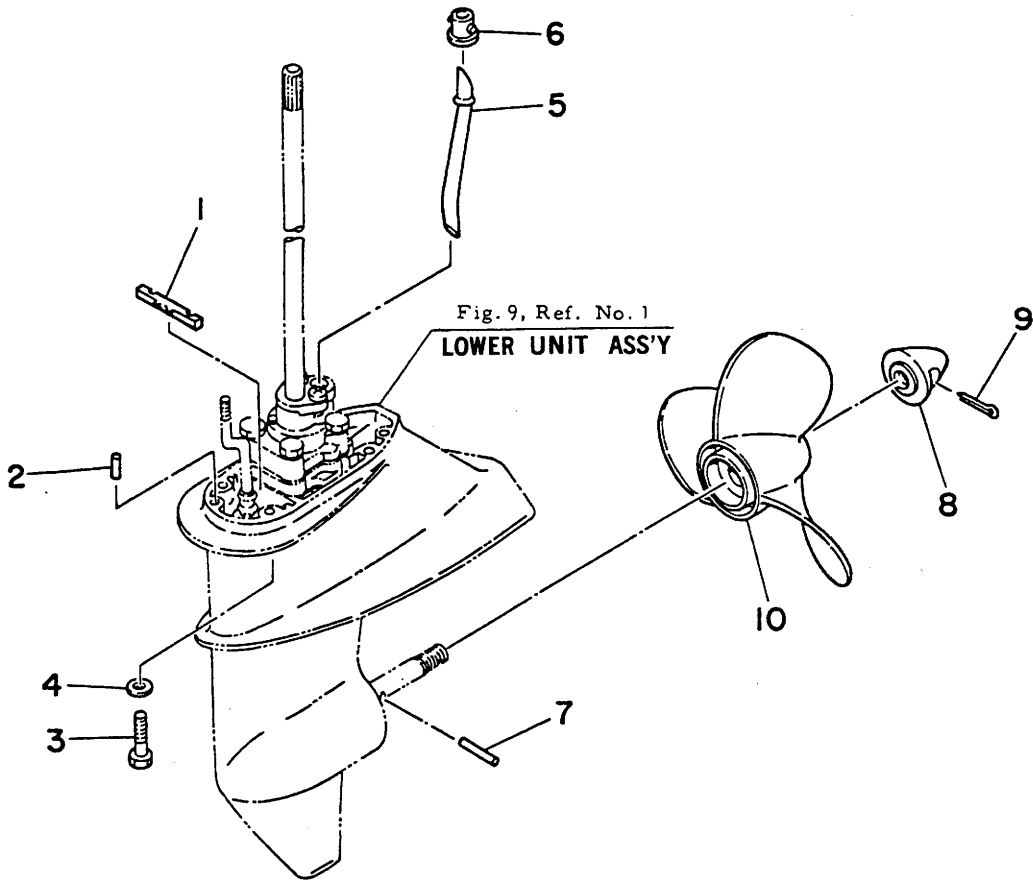
* New parts number

* Not shown

■ Contents of power head gasket kit (Parts No. 682-W0001-01)

▲ Contents of lower unit gasket kit (Parts No. 682-W0001-21, 683-W0001-21)

Fig. 7 LOWER & DRIVE I (15B MODEL) -1980

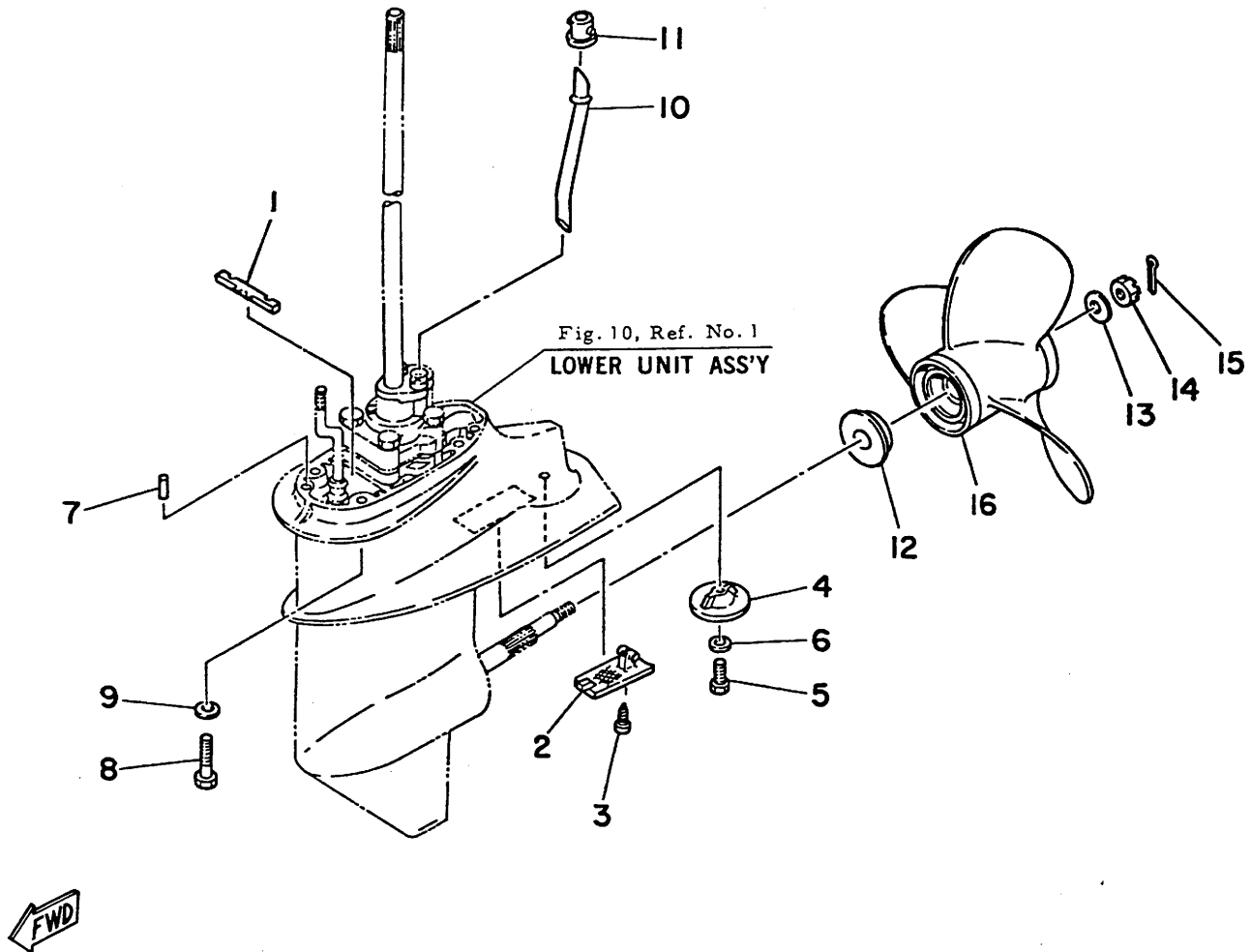


Ref.No.	Parts No.	Description	Q'ty	Ref.No.	Parts No.	Description	Q'ty
1	682-45375-01	SEAL, rubber 2	1	PROPELLER ASS'Y			
2	93606-12019	PIN, dowel B (6φ-12mm)	2	10	650-45941-01-36	PROPELLER ASS'Y 1 (3X9 1/2"X8"-D)	} U.R. 1
3	97375-08035	BOLT	4		653-45941-01-36	PROPELLER ASS'Y 1 (3X9 1/2"X11 1/2"-D)	
4	92990-08600	WASHER	4		626-45943-02-36	PROPELLER ASS'Y 2 (3X9 1/2"X10 1/2"-D)	
5	682-44361-00	TUBE, water (Short 138mm)	1		650-45943-01-36	PROPELLER ASS'Y 2 (3X9 1/2"X7"-D)	
※	682-44361-10	TUBE, water (Long 265mm)	1		626-45945-01-36	PROPELLER ASS'Y 3 (3X9 1/2"X6 1/2"-D)	
※	682-44361-30	TUBE, water (Super Ultra Long 407mm)	1		650-45945-00-36	PROPELLER ASS'Y 3 (3X9 1/2"X5"-D)	
▲ 6	626-44365-01	RUBBER, water seal	1		651-45947-00-36	PROPELLER ASS'Y 4 (3X9 1/2"X10"-D)	
7	90250-05011	PIN, straight	1		626-45949-01-36	PROPELLER ASS'Y 5 (3X9 1/2"X9"-D)	
8	650-45616-01	NUT, propeller	1		626-45926-00-36	PROPELLER ASS'Y 8 (2X9 1/2"X6 1/2"-D)	
9	91490-30030	PIN, cotter	1	STAINLESS BUSHING PROPELLER			
					650-45941-60-36	PROPELLER ASS'Y 1 (3X9 1/2"X8"-D)	
					648-45941-61-36	PROPELLER ASS'Y 1 (3X9 1/2"X10 1/2"-D)	
					656-45943-61-36	PROPELLER ASS'Y 2 (3X9 1/2"X11 1/2"-D)	
					650-45943-60-36	PROPELLER ASS'Y 2 (3X9 1/2"X7"-D)	
					626-45945-60-36	PROPELLER ASS'Y 3 (3X9 1/2"X6 1/2"-D)	
					650-45945-60-36	PROPELLER ASS'Y 3 (3X9 1/2"X5"-D)	
					651-45947-60-36	PROPELLER ASS'Y 4 (3X9 1/2"X10"-D)	
					626-45949-60-36	PROPELLER ASS'Y 5 (3X9 1/2"X9"-D)	
					626-45926-60-36	PROPELLER ASS'Y 8 (2X9 1/2"X6 1/2"-D)	

※ Not shown

▲ Contents of lower unit gasket kit (Parts No. 682-W0001-21)

Fig. 8 LOWER & DRIVE I (15C MODEL) -1980



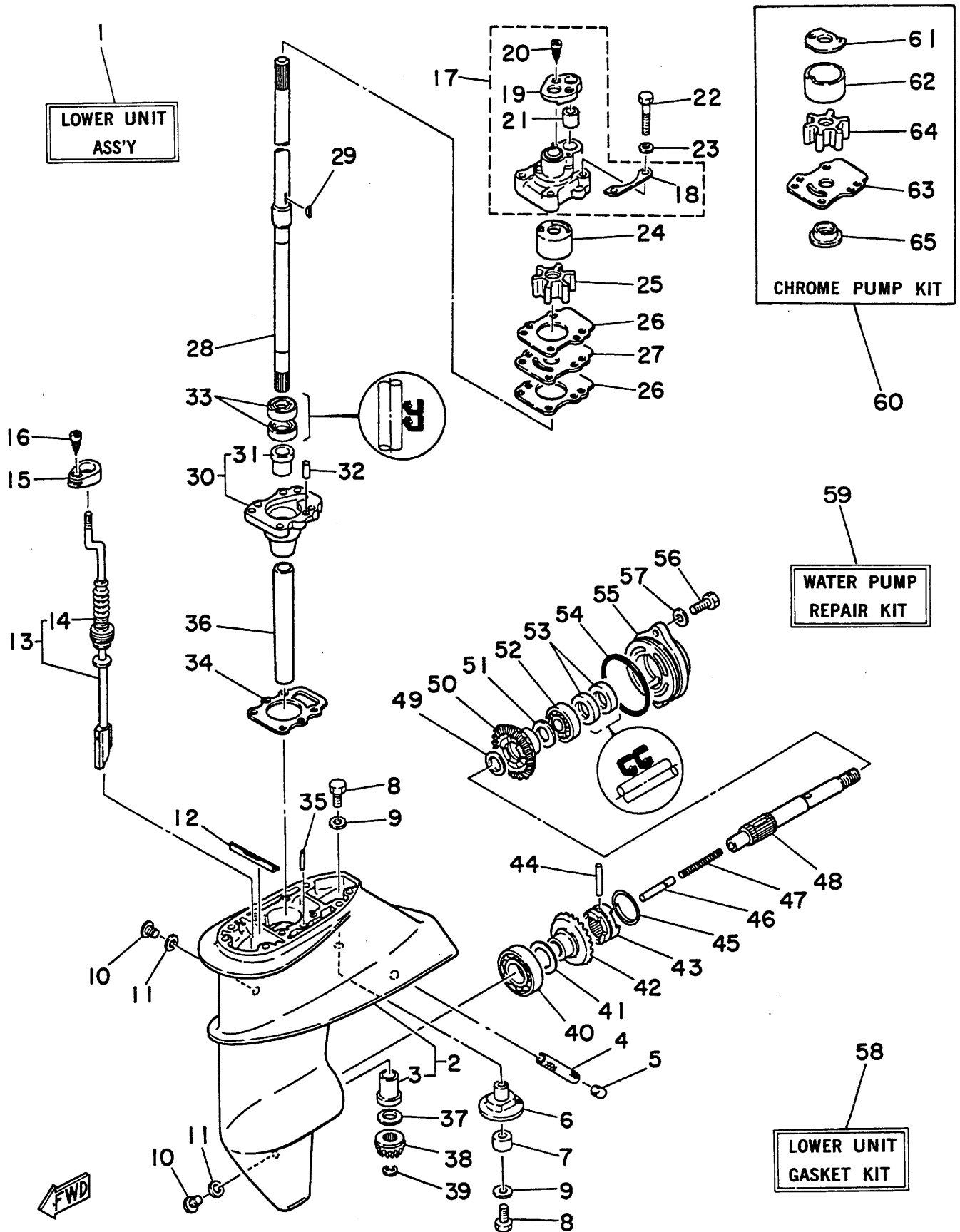
Ref.No.	Parts No.	Description	Q'ty	Ref.No.	Parts No.	Description	Q'ty
1	682-45375-01	SEAL, rubber 2	1	13	90201-10M14	WASHER (10.50-300-3.0mm)	1
2	683-45214-00	COVER, water inlet 1	1	14	90171-10M01	NUT, castle	1
3	97780-50516	SCREW, panhead tapping	1	15 *	91490-30020	PIN, cotter	1 } A
4	683-45251-00	ANODE	1	*	91490-30022	PIN, cotter	1 }
5 *	97395-06016	BOLT	1	PROPELLER ASS'Y			
			A	16	683-45941-00-36	PROPELLER ASS'Y 1 (3X9 $\frac{1}{2}$ "X12"-J)	} U.R. 1
*	97375-06016	BOLT	1		683-45943-00-36	PROPELLER ASS'Y 2 (3X9 $\frac{1}{2}$ "X10 $\frac{1}{2}$ "-J)	
6	92990-06600	WASHER	1		683-45945-00-36	PROPELLER ASS'Y 3 (3X9 $\frac{1}{2}$ "X9"-J)	
7	93606-12019	PIN, dowel B (60-12mm)	2		683-45947-00-36	PROPELLER ASS'Y 4 (3X9 $\frac{1}{2}$ "X8"-J)	
8	97375-08035	BOLT	4		683-45949-00-36	PROPELLER ASS'Y 5 (3X9 $\frac{1}{2}$ "X6 $\frac{1}{2}$ "-J)	
9	92990-08600	WASHER	4		683-45952-00-36	PROPELLER ASS'Y 6 (3X9 $\frac{1}{2}$ "X9"-J)	
10	682-44361-00	TUBE, water (Short 138mm)	1				
*	682-44361-10	TUBE, water (Long 265mm)	1				
*	682-44361-30	TUBE, water (Super Ultra Long 470mm)	1				
▲11	626-44365-01	RUBBER, water seal	1				
12	683-45987-00	SPACER 1	1				

* New parts number

* Not shown

▲ Contents of lower unit gasket kit (Parts No. 683-W0001-21)

Fig. 9 LOWER & DRIVE 2 (15B MODEL) -1980



LOWER & DRIVE 2 (15B MODEL) - 1980

Ref.No.	Parts No.	Description	Q'ty	Ref.No.	Parts No.	Description	Q'ty
1	682-45300-00-F6	LOWER UNIT ASS'Y (Short) (Ref. No. 2 to 57)	1	32	93606-12019	PIN, dowel B (6φ-12mm)	2
*	682-45300-10-F6	LOWER UNIT ASS'Y (Long) (Ref. No. 2 to 57)	1	33	93101-20048	OIL SEAL (S-200-300-6mm)	2
2	682-45311-00-F6	CASING, lower	1	▲34	682-45315-00	PACKING, lower casing	1
3	626-45317-09	. BUSHING	1	35	93604-08062	PIN, dowel B (4φ-8mm)	1
4	682-45215-00	COVER, water inlet 2	1	36	90387-16M08	COLLAR (16φ-18φ-146mm)	1
5	90334-10008	PLUG, straight	1	37	626-45533-01-11	WASHER (13φ-26φ-1.1mm)	} U.R.
6	676-45214-00-94	COVER, water inlet 1	1		626-45533-01-12	WASHER (13φ-26φ-1.2mm)	
7	676-45251-00	ANODE	1		626-45533-01-13	WASHER (13φ-26φ-1.3mm)	
					626-45533-01-14	WASHER (13φ-26φ-1.4mm)	
8	* 97395-06016	BOLT	2	38	626-45551-00	PINION (13T)	1
*	97375-06016	BOLT	2	39	93430-07012	CIRCLIP (E-7φ)	1
9	92990-06600	WASHER	2	40	93306-20501	BEARING (B6205)	1
10	90340-08014	PLUG, straight screw	3	41	626-45577-00-01	SHIM (25.3φ-32φ-0.1mm)	} U.R.
▲11	90430-08020	GASKET	3		626-45577-00-03	SHIM (25.3φ-32φ-0.3mm)	
					626-45577-00-05	SHIM (25.3φ-32φ-0.5mm)	
12	682-45376-01	GUIDE, rubber seal	1	42	626-45560-01	GEAR 1 ASS'Y (27T)	1
13	682-44150-00	SHIFT CAM ASS'Y (Short 331mm)	1	43	682-45631-00	CLUTCH, dog	1
*	682-44150-10	SHIFT CAM ASS'Y (Long 458mm)	1	44	90250-05010	PIN, straight	1
*	682-44150-30	SHIFT CAM ASS'Y (Super Ultra Long 600mm)	1	45	648-45633-00	RING, cross pin	1
14	682-44147-00	. BOOT, shift rod	1	46	650-45635-00	PLUNGER, shift	1
15	682-44176-00	BRACKET	1	47	90501-14M06	SPRING, compression	1
16	97780-50510	SCREW, panhead tapping	1	48	682-45611-00	SHAFT, propeller	1
17	682-44300-01	HOUSING WATER PUMP ASS'Y	1	49	90201-17682	WASHER (17.3φ-22φ-1.5mm)	1
18	682-44328-00	. PLATE	2	50	650-45570-00	GEAR 2 ASS'Y (27T)	1
19	682-44312-00	. COVER, water pump housing	1	51	650-45567-00-10	SHIM (17φ-26φ-1.0mm)	} U.R.
20	97780-40512	. SCREW, panhead tapping	2		650-45567-00-12	SHIM (17φ-26φ-1.2mm)	
	97780-40112	. SCREW, panhead tapping	2		650-45567-00-14	SHIM (17φ-26φ-1.4mm)	
★21	682-44365-00	. RUBBER, water seal <i>ES 682/63</i>	1	52	93306-20309	BEARING (B6203)	1
★22	* 97395-06040	BOLT	4	53	93101-17054	OIL SEAL (S-17φ-30φ-6mm)	2
★*	97375-06040	BOLT	4	▲54	93210-58144	O-RING (3.1φ-58.4φ)	1
23	92990-06200	WASHER	4	55	682-45361-00-F6	CAP, lower casing	1
★24	682-44322-00	INSERT, cartridge	1	56	* 97395-06020	BOLT	2
★25	682-44352-00	IMPELLER	1	*	97375-06020	BOLT	2
▲★26	682-44315-00	GASKET, water pump	2	57	92990-06600	WASHER	2
★27	682-44323-00	OUTER PLATE, cartridge	1	▲58	* 682-W0001-21	LOWER UNIT GASKET KIT	1
28	682-45501-00	DRIVE SHAFT COMP. (Short 617mm)	1	▲*	682-W0001-20	LOWER UNIT GASKET KIT	1
*	682-45501-10	DRIVE SHAFT COMP. (Long 743mm)	1	★59	682-W0078-00	WATER PUMP REPAIR KIT	1
*	682-45501-30	DRIVE SHAFT COMP. (Super Ultra Long 885mm)	1	CHROME PUMP KIT			
29	90280-03024	KEY, woodruff	1	☆60	682-W0078-0A	CHROME PUMP KIT	1
30	* 682-45331-00-94	HOUSING, bearing	1	☆61	682-44321-40	. INNER PLATE, cartridge	1
*	682-45331-01-94	HOUSING, bearing	1	☆62	682-44322-40	. INSERT, cartridge	1
31	626-45316-09	. BUSHING	1	☆63	682-44323-40	. OUTER PLATE, cartridge	1
				☆64	682-44352-40	. IMPELLER	1
				☆65	682-45344-00	. COVER, oil seal	1

← { 15B S: 004180 and below
L: 304015 and below

15BE S: 250115 and below
L: 550115 and below

→ { 15B S: 004181 and up
L: 304016 and up
SUL: 800101 and up

15BE S: 250116 and up
L: 550116 and up
SUL: 800101 and up

* New parts number

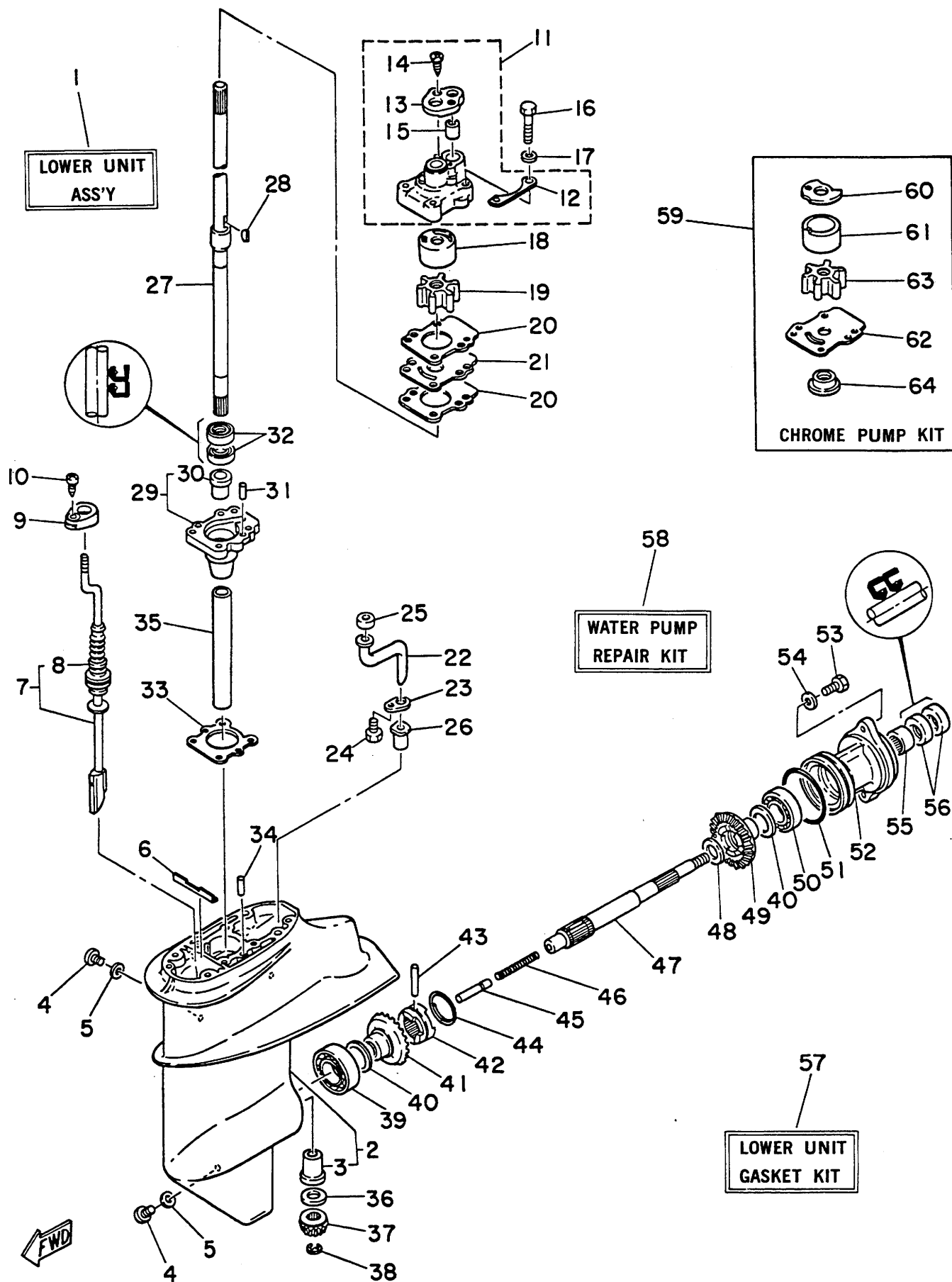
* Not shown

▲ Contents of lower unit gasket kit

★ Contents of water pump repair kit

☆ Contents of chrome pump kit

Fig. 10 LOWER & DRIVE 2 (15C MODEL) -1980



LOWER & DRIVE 2 (15C MODEL) - 1980

Ref.No.	Parts No.	Description	Q'ty	Ref.No.	Parts No.	Description	Q'ty
1	683-45300-00-F6	LOWER UNIT ASS'Y (Short) (Ref. No. 2 to 56)	1	31	93606-12019	PIN, dowel B (6 ϕ -12mm)	2
*	683-45300-10-F6	LOWER UNIT ASS'Y (Long) (Ref. No. 2 to 56)	1	32	93101-20048	OIL SEAL (S-20 ϕ -30 ϕ -6mm)	2
2	683-45311-00-F6	CASING, lower	1	▲33	683-45315-00	PACKING, lower casing	1
3	626-45317-09	BUSHING	1	34	93604-08062	PIN, dowel B (4 ϕ -8mm)	1
4	90340-08014	PLUG, straight screw	3	35	90387-16M08	COLLAR (16 ϕ -18 ϕ -146mm)	1
▲5	90430-08020	GASKET	3	36	626-45533-01-11	WASHER (13 ϕ -26 ϕ -1.1mm)	}
6	682-45376-01	GUIDE, rubber seal	1		626-45533-01-12	WASHER (13 ϕ -26 ϕ -1.2mm)	
7	682-44150-00	SHIFT CAM ASS'Y (Short 331mm)	1		626-45533-01-13	WASHER (13 ϕ -26 ϕ -1.3mm)	
					626-45533-01-14	WASHER (13 ϕ -26 ϕ -1.4mm)	
*	682-44150-10	SHIFT CAM ASS'Y (Long 458mm)	1	37	626-45551-00	PINION (13T)	1
*	682-44150-30	SHIFT CAM ASS'Y (Super Ultra Long 600mm)	1	38	93430-07012	CIRCLIP (E-7 ϕ)	1
8	682-44147-00	BOOT, shift rod	1	39	93306-20501	BEARING (B6205)	1
9	682-44176-00	BRACKET	1	40	626-45577-00-01	SHIM (25.3 ϕ -32 ϕ -0.1mm)	}
10	97780-50510	SCREW, panhead tapping	1		626-45577-00-03	SHIM (25.3 ϕ -32 ϕ -0.3mm)	
11	682-44300-01	HOUSING WATER PUMP ASS'Y	1		626-45577-00-05	SHIM (25.3 ϕ -32 ϕ -0.5mm)	
12	682-44328-00	PLATE	2	41	626-45560-01	GEAR 1 ASS'Y (27T)	1
13	682-44312-00	COVER, water pump housing	1	42	682-45631-00	CLUTCH, dog	1
14	97780-40512	SCREW, panhead tapping	2	43	90250-05010	PIN, straight	1
★15	682-44365-00	RUBBER, water seal	1	44	648-45633-00	RING, cross pin	1
★16	* 97395-06040	BOLT	4 } A	45	650-45635-00	PLUNGER, shift	1
★*	97375-06040	BOLT	4 }	46	90501-14M06	SPRING, compression	1
17	92990-06200	WASHER	4	47	683-45611-00	SHAFT, propeller	1
★18	682-44322-00	INSERT, cartridge	1	48	90201-17682	WASHER (17.3 ϕ -22 ϕ -1.5mm)	1
★19	682-44352-00	IMPELLER	1	49	683-45571-00	GEAR 2 (27T)	1
▲★20	682-44315-00	GASKET, water pump	2	50	93306-00501	BEARING (B6005)	1
★21	682-44323-00	OUTER PLATE, cartridge	1	▲51	93210-57M09	O-RING (3 ϕ -56.7 ϕ)	1
22	683-44362-01	TUBE, water 2	1	52	683-45361-00-F6	CAP, lower casing	1
23	683-44373-00	SET PLATE, water tube	1	53	* 97395-06020	BOLT	2 } A
24	* 97395-06010	BOLT	1 } A	*	97375-06020	BOLT	2 }
*	97375-06010	BOLT	1 }	54	92990-06600	WASHER	2
25	683-44365-01	RUBBER, water seal	1	55	93315-317U2	BEARING, needle	1
26	664-44366-01	RUBBER, water seal 2	1	56	93101-17054	OIL SEAL (S-17 ϕ -30 ϕ -6mm)	2
27	682-45501-00	DRIVE SHAFT COMP. (Short 616mm)	1	▶▲57	* 683-W0001-21	LOWER UNIT GASKET KIT	1 } A
*	682-45501-10	DRIVE SHAFT COMP. (Long 743mm)	1	◀▲*	683-W0001-20	LOWER UNIT GASKET KIT	1 }
*	682-45501-30	DRIVE SHAFT COMP. (Super Ultra Long 885mm)	1	★58	682-W0078-00	WATER PUMP REPAIR KIT	1
28	90280-03024	KEY, woodruff	1			CHROME PUMP KIT	
29	* 682-45331-00-94	HOUSING, bearing	1 } A	☆59	682-W0078-0A	CHROME PUMP KIT	1
*	682-45331-01-94	HOUSING, bearing	1 }	☆60	682-44321-40	INNER PLATE, cartridge	1
30	626-45316-09	BUSHING	1	☆61	682-44322-40	INSERT, cartridge	1
				☆62	682-44323-40	OUTER PLATE, cartridge	1
				☆63	682-44352-40	IMPELLER	1
				☆64	682-45344-00	COVER, oil seal	1

15C S: 008130 and below
L: 308630 and below
SUL: 800605 and below

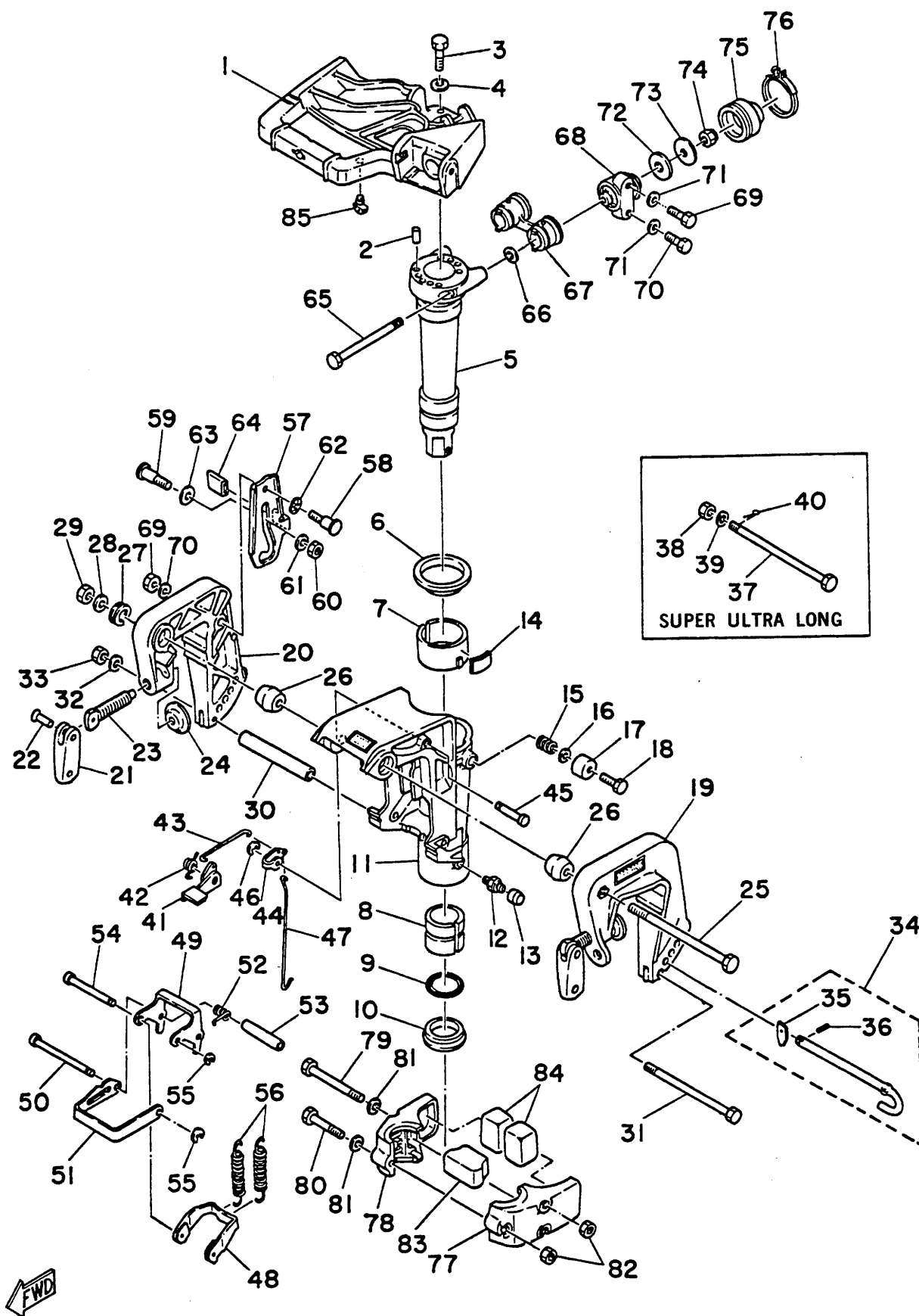
15CE S: 250660 and below
L: 551010 and below
SUL: 880145 and below

15C S: 008131 and up
L: 308631 and up
SUL: 800606 and up

15CE S: 250661 and up
L: 551011 and up
SUL: 880146 and up

- * New parts number
- * Not shown
- ▲ Contents of lower unit gasket kit
- ★ Contents of water pump repair kit
- ☆ Contents of chrome pump kit

Fig. 11 BRACKET -1980



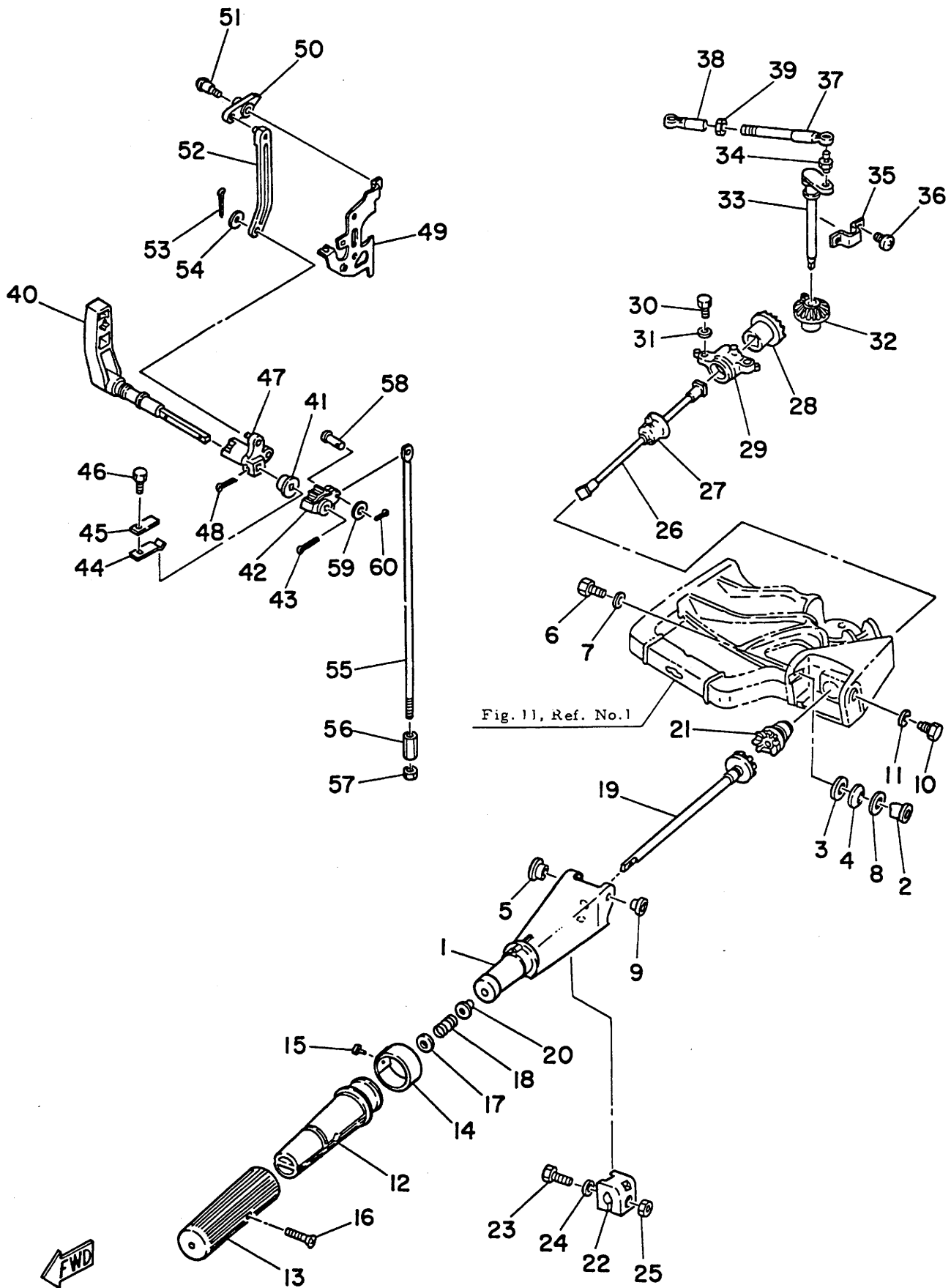
BRACKET - 1980

Ref.No.	Parts No.	Description	Q'ty	Ref.No.	Parts No.	Description	Q'ty
1	682-42511-00-F6	BRACKET, steering	1	47	682-43617-00	ROD, tilt lock 2	1
2	93606-12019	PIN, dowel B (6φ-12mm)	2	48	682-43614-00	PLATE, tilt lock 1	1
3	* 97395-06025	BOLT	3	49	682-43615-00	PLATE, tilt lock 2	1
※	97375-06025	BOLT	3	50	682-43611-00	SHAFT, tilt lock	1
4	92990-06600	WASHER	3	51	682-43681-00	LEVER, shallow water drive	1
5	682-42521-00-F6	SHAFT, steering pivot	1	52	90508-16M02	SPRING	1
6	90209-52M01	WASHER	1	53	90387-06M10	COLLAR (6.1φ-9.1φ-59mm)	1
7	682-42537-00	BUSHING, pivot shaft	1	54	682-43659-00	SHAFT, reverse lock	1
8	90386-40M09	BUSHING	1	55	93430-05027	CIRCLIP (E-5φ)	2
9	93210-40M10	O-RING (2.4φ-39.7φ)	1	56	90506-26M01	SPRING	2
10	90386-40M08	BUSHING	1	57	* 682-43181-02	LEVER, tilt stop	1
11	* 682-43311-02-F6	BRACKET, swivel	1	※	682-43181-01	LEVER, tilt stop	1
※	682-43311-01-F6	BRACKET, swivel	1	58	90109-06M05	BOLT	1
12	93700-06004	NIPPLE, grease	1	59	90109-06M03	BOLT	1
13	663-45119-00	CAP, grease nipple	1	60	95380-06700	NUT	2
14	648-42528-00	PIECE, friction	1	61	92990-06600	WASHER	2
15	90501-18M00	SPRING, compression	1	62	90206-10M04	WASHER, wave	1
16	92990-08600	WASHER	1	63	682-43339-01	WASHER	1
17	676-43373-00	SEAL, rubber	1	64	682-43318-00	COVER	1
18	97375-08025	BOLT	1	65	90101-08M30	BOLT	2
19	682-43111-00-F6	BRACKET, clamp 1	1	66	90201-08M12	WASHER (8.1φ-15φ-2.0mm)	2
20	682-43112-01-F6	BRACKET, clamp 2	1	67	682-44521-01	SEAL, rubber 1	1
21	616-43118-00-F6	HANDLE, transom clamp	2	68	682-44514-00-94	MOUNT RUBBER, upper side	
22	90243-04001	PIN	2		(Short, Long)		2
23	648-43116-01	SCREW, transom clamp	2	69	* 97395-06025	BOLT	2
24	648-43114-01	PAD, transom clamp	2	※	97375-06025	BOLT	2
25	90101-10M57	BOLT	1	70	* 97395-06020	BOLT	2
26	626-43136-00	PIECE, friction	2	※	97375-06020	BOLT	2
27	90504-59006	SPRING, compression	1	71	92990-06600	WASHER	4
28	92990-10600	WASHER	1	72	90202-13M02	WASHER (13.5φ-33φ-2.0mm)	2
29	95380-10700	NUT	1	73	90201-08M13	WASHER (8.2φ-33φ-2.5mm)	2
30	90387-06M28	COLLAR (6.5φ-10.5φ-108mm)	1	74	90185-08M00	NUT, self-locking	2
31	90101-06M29	BOLT	1	75	682-44522-00	SEAL, rubber 2	2
32	92990-06600	WASHER	1	76	90460-42M01	CLAMP, hose	2
33	95380-06700	NUT	1	77	682-44551-01-F6	HOUSING, mount rubber 1	1
34	682-43160-01	TILT ROD ASS'Y (Short, Long)	1	78	682-44552-01-F6	HOUSING, mount rubber 2	1
35	656-43165-01	. STOPPER PLATE	1	79	* 97395-08085	BOLT	2
36	91690-30008	. PIN, spring	1	※	97375-08085	BOLT	2
37	90102-08M01	BOLT (Super Ultra Long)	1	80	* 97395-08055	BOLT	1
38	90171-08M00	NUT (Super Ultra Long)	1	※	97375-08055	BOLT	1
39	92990-08600	WASHER (Super Ultra Long)	1	81	92990-08600	WASHER	3
40	91490-20015	PIN, cotter (Super Ultra Long)	1	82	95380-08700	NUT	3
41	682-43631-00	LEVER, tilt 1	1	83	682-44557-00	MOUNT RUBBER, lower front	1
42	90508-12M03	SPRING, torsion	1	84	682-44555-00	MOUNT RUBBER, lower side	
43	682-43616-00	ROD, tilt lock 1	1		(Short, Long)		2
44	682-43641-00	LEVER, tilt 2	1	※	682-44555-30	MOUNT RUBBER, lower side	
45	90249-06117	PIN	1		(Super Ultra Long)		2
46	93430-05027	CIRCLIP (E-5φ)	1	85	606-42591-00	HOLDER, share pin (15B Model)	1

* New parts number

※ Not shown

Fig. 12 CONTROL -1980



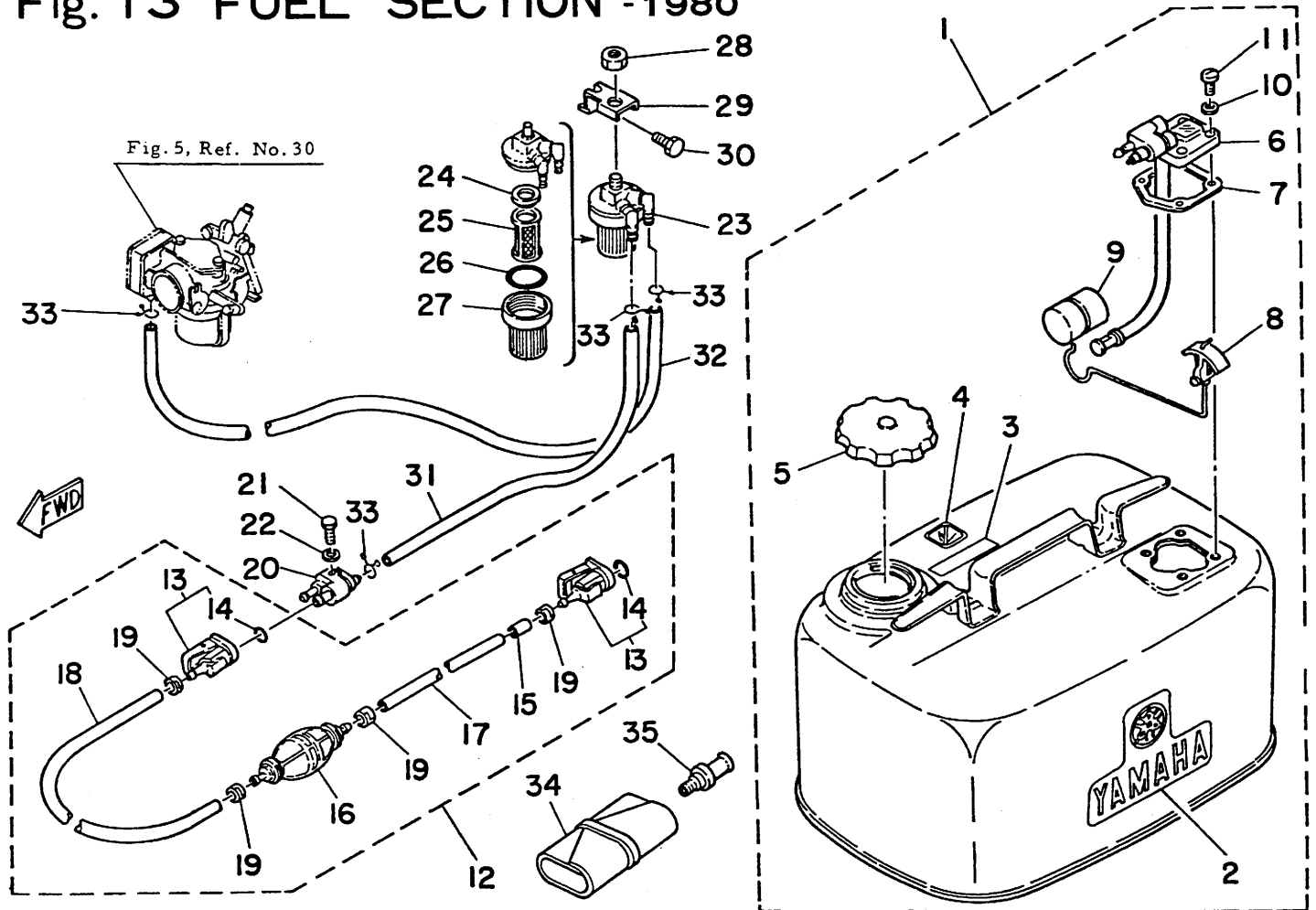
CONTROL -1980

Ref.No.	Parts No.	Description	Q'ty	Ref.No.	Parts No.	Description	Q'ty
1	682-42111-00-F6	HANDLE, steering	1	30	97313-06016	BOLT	2
2	682-42123-01	BOLT, handle joint	1	31	92903-06200	WASHER	2
3	90202-12031	WASHER (12.2Ø-24Ø-1.7mm)	1	32	682-42152-01	GEAR (16T)	1
4	90206-12M06	WASHER (12.5Ø-23Ø-1.0mm)	1	33	682-41631-00-94	LEVER, magneto control 1	1
5	90386-12M07	BUSHING	1	34	663-85518-00	JOINT, ball	1
6	97315-06025	BOLT	1	35	682-41661-00	BRACKET	1
7	92990-06600	WASHER	1	36	97803-06010	SCREW, panhead	2
8	90201-12181	WASHER (12Ø-23Ø-1mm)	1	37	682-41238-00	JOINT, link 1	1
9	90386-06M06	BUSHING	1	38	682-41237-00	JOINT, link	1
10	90109-08M01	BOLT	1	39	95303-05700	NUT	1
11	92990-08600	WASHER	1	40	682-44111-01-94	HANDLE, gear shift	1
12	664-42119-00	GRIP, steering handle	1	41	682-44132-00	BUSHING	1
13	689-42177-00	RUBBER, handle	1	42	682-44121-00	LEVER, shift rod 1	1
14 *	682-42137-01	INDICATOR, throttle	1	43	91490-25020	PIN, cotter	1
※	682-42137-00	INDICATOR, throttle	1	44	682-44116-00	SPRING	1
15	90269-02001	RIVET	1	45	682-44117-00	BRACKET 1	1
16	98680-05025	SCREW, ovalhead	1	46	97313-06012	BOLT	1
17	92903-10600	WASHER	1	47	682-44125-01	LEVER, shift rod 2	1
18	90501-23215	SPRING, compression	1	48	91490-25020	PIN, cotter	1
19	682-42141-01-94	GEAR, knee 1	1	49	682-44118-01	BRACKET 2	1
20	90386-08032	BUSHING	1	50	682-41666-00	STOPPER, magneto control lever	1
21	682-42142-01	GEAR, knee 2	1	51	90109-06M04	BOLT	1
22	656-42126-01	PIECE, friction	1	52	682-44124-00	LINK	1
23 *	97395-06020	BOLT	1	53	91490-20010	PIN, cotter	1
※	97375-06020	BOLT	1	54	92903-05600	WASHER	1
24	92990-06600	WASHER	1	55	682-44143-00	ROD, shift 1	1
25	90185-06062	NUT, self-locking	1	56	95380-06700	NUT	1
26	682-42116-00	SHAFT, steering handle 2	1	57	90170-06015	NUT	1
27	682-42716-00	RUBBER, seal 1	1	58	91790-05020	PIN, clevis	1
28	682-42151-01	PINION (16T)	1	59	92990-05600	WASHER	1
29	682-42171-01	BUSHING	1	60	91490-16010	PIN, cotter	1

* New parts number

※ Not shown

Fig. 13 FUEL SECTION - 1980



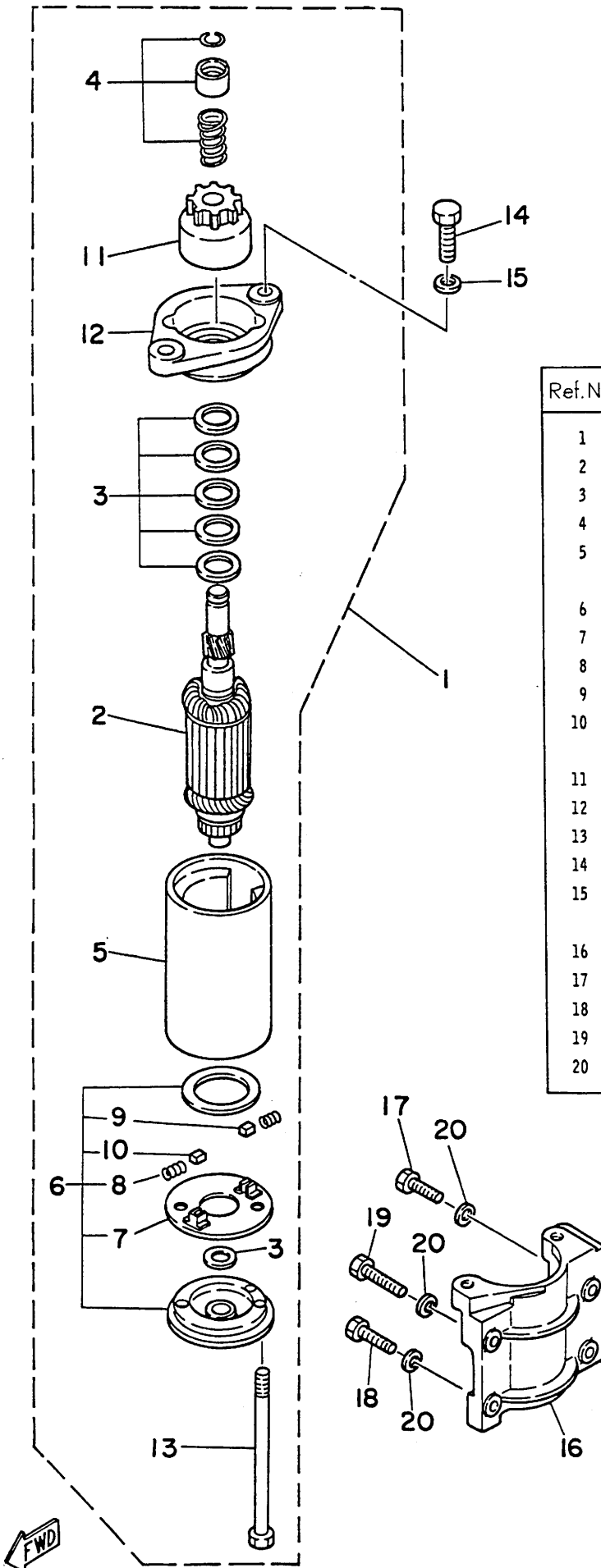
Ref.No.	Parts No.	Description	Q'ty	Ref.No.	Parts No.	Description	Q'ty
1	656-24202-04-24	FUEL TANK ASS'Y	1	*18	90445-12155	. HOSE (6Ø-11.5Ø-1000mm)	1
*	656-24202-90-24	FUEL TANK ASS'Y (For Brazil)	1	19	650-24351-00	. BAND, fuel pipe	4
2	656-24244-01	. GRAPHIC, side	2	20	655-24304-01	FUEL PIPE JOINT COMP.	1
3	656-24245-00	. GRAPHIC	1	21	97313-06020	BOLT	1
4	656-24248-00	. GRAPHIC	1	22	92903-06600	WASHER	1
5	802-24610-00	. CAP ASS'Y	1	23	655-24560-00	FILTER ASS'Y	1
6	656-24275-03	. FUEL METER COMP.	1	■24	655-24564-00	. PACKING, filter	1
*	663-24275-09	. FUEL METER COMP. (For Brazil)	1	25	655-24563-00	. ELEMENT, filter	1
7	663-24268-00	. GASKET, fuel meter housing	1	■26	93210-37M25	. O-RING (2.0Ø-34.5Ø)	1
8	656-24241-03	. INDICATOR 1	1	27	655-24521-00	. CUP, filter	1
9	663-24264-00	. FLOAT	1	28	95303-08700	NUT	1
10	630-24329-00	. SEAL	4	29	682-24566-00	BRACKET, filter	1
11	98380-05018	. SCREW, cylinderhead	4	30	97313-06010	BOLT	1
12	663-24310-61	FUEL PIPE ASS'Y	1	31	90445-09086	HOSE (5.0Ø-9.0Ø-170mm)	1
13	655-24305-01	. FUEL PIPE JOINT COMP.	2	32	90445-09097	HOSE (5.0Ø-9.0Ø-250mm)	1
14	93210-08287	. . O-RING (3Ø-8.0Ø)	2	33	90467-08004	CLIP	4
15	663-24397-00	. COLLAR	1	34	670-28100-60	TOOL ASS'Y	1
16	650-24360-01	. PRIMARY PUMP ASS'Y	1	35	626-28193-01-94	PLUG, water check	1
+17	90445-12M04	. HOSE (6Ø-11.5Ø-1900mm)	1				

* Not shown

■ Contents of power head gasket kit (Parts No. 682-W0001-01)

* Also available in 30m rolls (Parts No. 90890-56878)

Fig. 14 ELECTRIC MOTOR (15BE/15CE MODEL) -1980



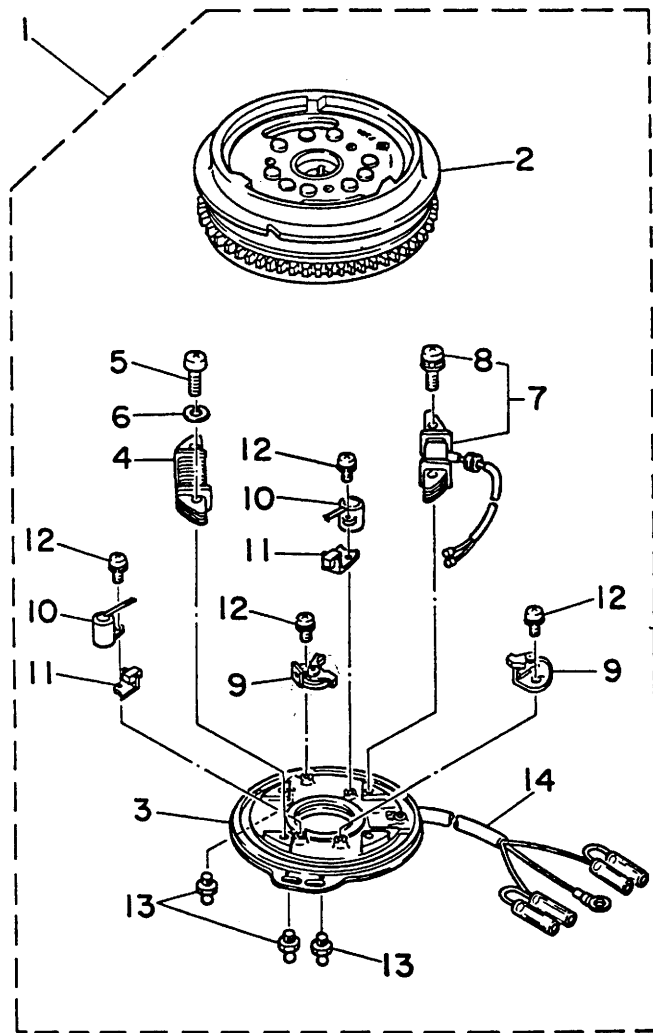
Ref.No.	Parts No.	Description	Q'ty
1	682-81800-10	ELECTRIC MOTOR ASS'Y	1
2	682-81850-10	. ARMATURE ASS'Y	1
3	682-81809-10	. WASHER KIT	15
4	682-81833-10	. PINION STOPPER SET	15
5	682-81810-10	. STATOR ASS'Y	1
6	682-81820-10	. REAR COVER ASS'Y	1
7	682-81840-10	. . BRUSH HOLDER ASS'Y	1
8	682-81813-10	. . SPRING, brush	2
9	682-81811-10	. . BRUSH 1 (+)	1
10	682-81812-10	. . BRUSH 2 (-)	1
11	682-81832-10	. PINION ASS'Y	1
12	682-81830-10	. FRONT COVER ASS'Y	1
13	682-81826-10	. BOLT	2
14	97313-08025	BOLT	2
15	92903-08600	WASHER	2
16	682-81822-41-94	BRACKET, electric motor	1
17	97313-06025	BOLT	1
18	97313-06020	BOLT	2
19	97313-06030	BOLT	1
20	92903-06600	WASHER	4

Fig. 15 FLYWHEEL MAGNETO (15BE/15CE MODEL) -1980

Ref.No.	Parts No.	Description	Q'ty
▶ 1 *	682-81300-82	FLYWHEEL MAGNETO ASS'Y	1
◀ *	682-81300-81	FLYWHEEL MAGNETO ASS'Y	1
2	682-81350-51	. ROTOR ASS'Y	1
3	682-81309-10	. BASE, magneto	1
4	677-81311-10	. COIL, ignition	1
5	97801-05025	. SCREW, panhead	2
6	92903-05100	. WASHER	2
7	677-81303-60	. LIGHTING COIL ASS'Y	1
8	97801-05025	. . SCREW (M5-25mm)	2
9	650-81321-10	. CONTACT BREAKER ASS'Y	2
10	647-81325-11	. CONDENSER	2
11	207-81331-10	. LUBRICATOR	2
12	164-81246-21	. SCREW	4
▶ 13	663-85518-00	. JOINT, ball	3
◀ *	663-85518-00	. JOINT, ball	2
14	682-81315-11	. LEAD WIRE ASS'Y	1

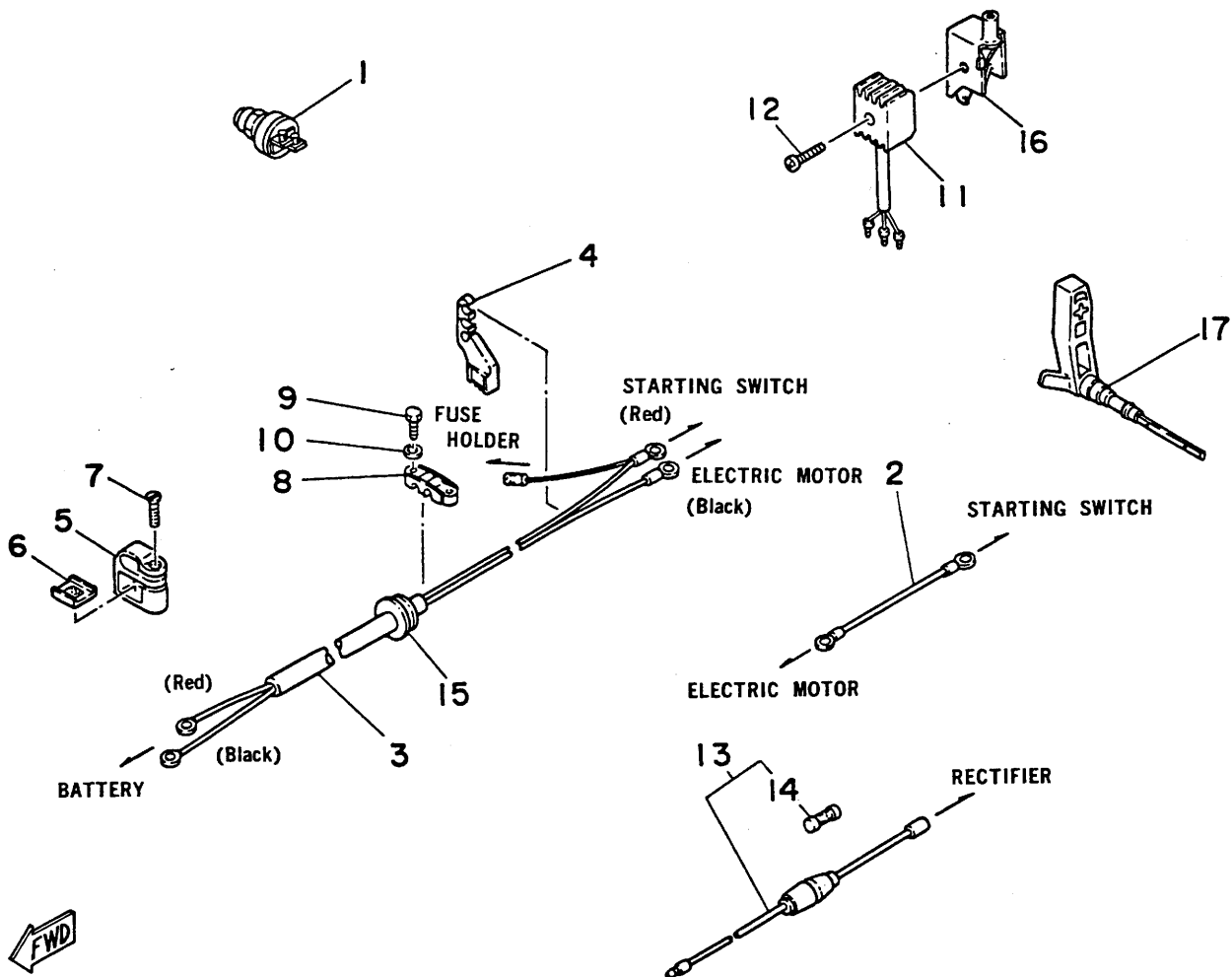
◀ 15BE S: 250115 and below
 L: 550115 and below
 15CE S: 250660 and below
 L: 551010 and below
 SUL: 880145 and below
 ▶ 15BE S: 250116 and up
 L: 550116 and up
 SUL: 800101 and up
 15CE S: 250661 and up
 L: 551011 and up
 SUL: 880146 and up

* New parts number
 * Not shown



FWD

Fig. 16 ELECTRIC PARTS (15BE/15CE MODEL) -1980



Ref.No.	Parts No.	Description	Q'ty	Ref.No.	Parts No.	Description	Q'ty
1	682-81870-00	STARTING SWITCH ASS'Y	1	9	97313-06016	BOLT	2
▶ 2 *	682-82117-01	WIRE, lead	1	10	92903-06600	WASHER	2
◀ *	682-82117-00	WIRE, lead	1	11	664-81970-60	RECTIFIER ASS'Y	1
3	682-82105-01	WIRE LEAD ASS'Y	1	12	97803-05025	SCREW, panhead	1
4	682-82594-00	CLAMP	1	13	682-82150-00	FUSE HOLDER ASS'Y	1
5	676-82594-00	CLAMP	1	14	663-82151-00	FUSE (12V-20A)	1
6	682-42525-00	PLATE, friction 1	1	15	682-42724-40	GROMMET	1
7	90161-06M00	SCREW, flathead tapping	1	16	682-15771-40-94	STAY	1
8	90464-07M01	CLAMP	1	17	682-44111-41-94	HANDLE, gear shift	1

The following parts are not used when using the electric parts.

1-30	682-15771-01-94 STAY	1	2-21	682-42725-01 GROMMET 2	1
2-20	682-42724-00 GROMMET 1	1	12-40	682-44111-01-94 HANDLE, gear shift	1

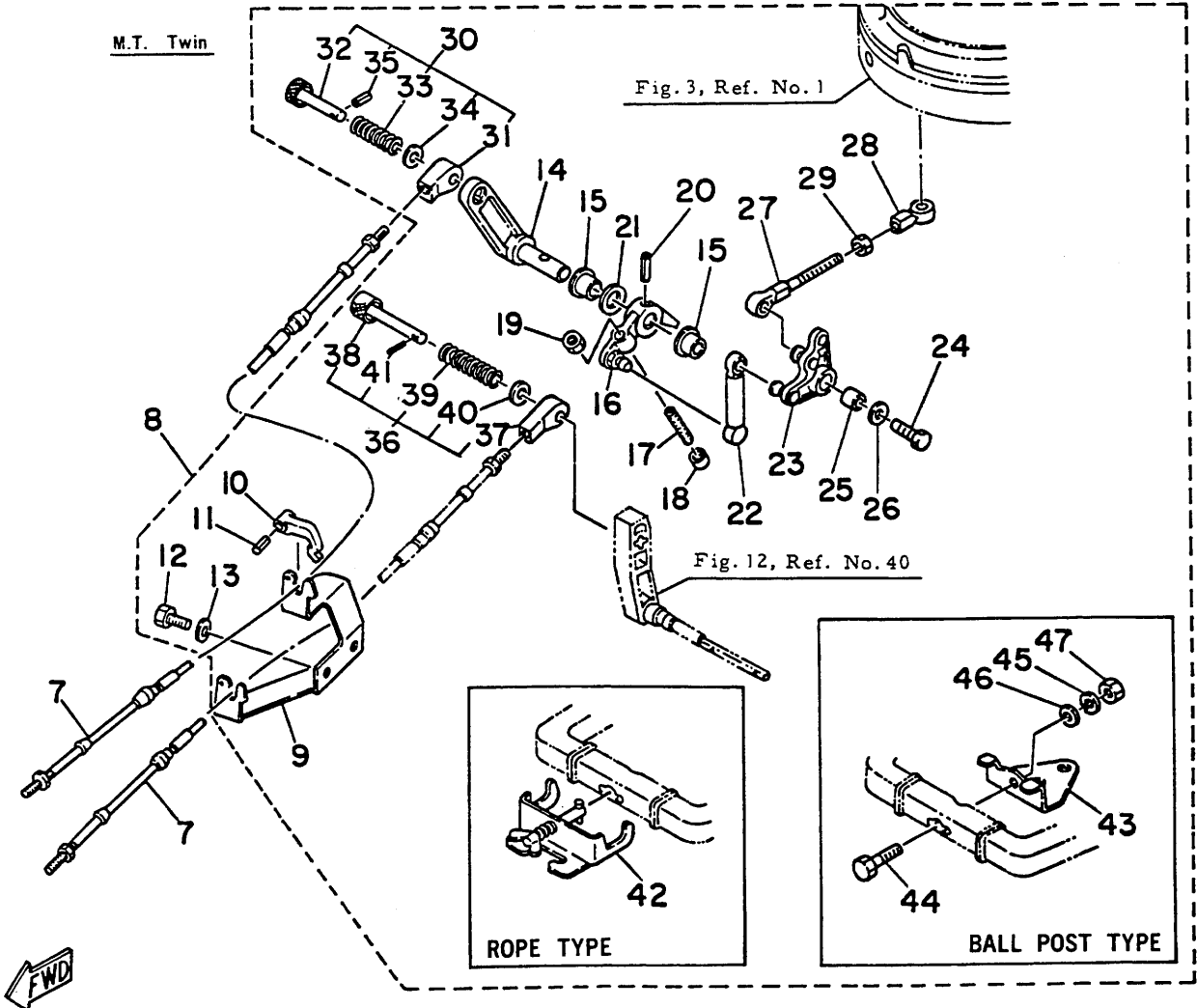
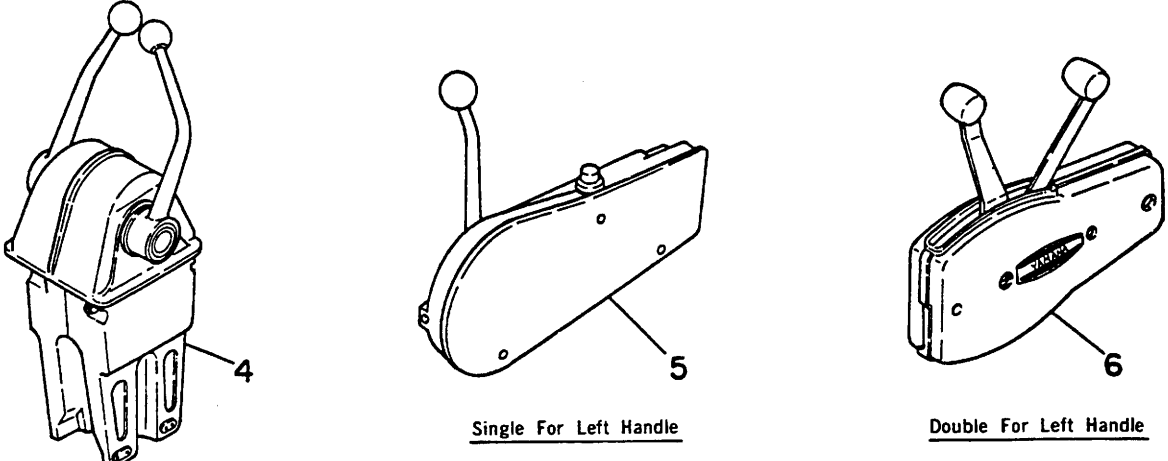
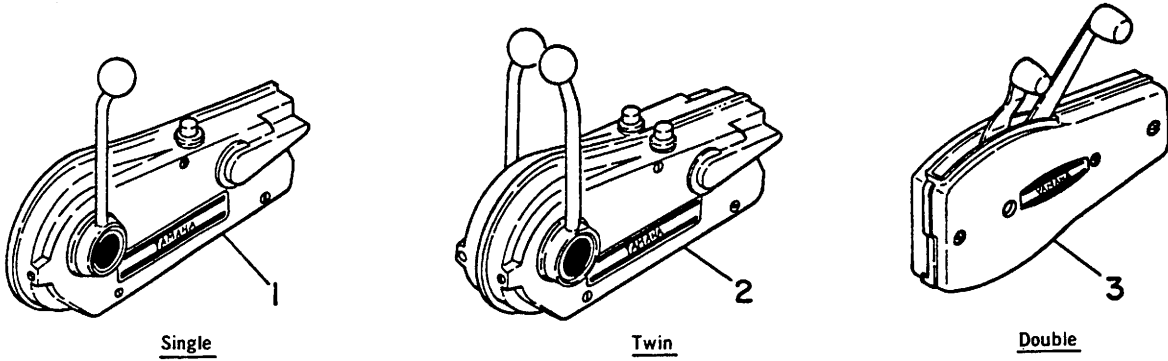
◀ { 15BE S: 250115 and below
L: 550115 and below
15CE S: 250660 and below
L: 551010 and below
SUL: 880145 and below

▶ { 15BE S: 250116 and up
L: 550116 and up
SUL: 800101 and up
15CE S: 250661 and up
L: 551011 and up
SUL: 880146 and up

* New parts number

※ Not shown

Fig. 17 REMOTE CONTROL - 1980



REMOTE CONTROL - 1980

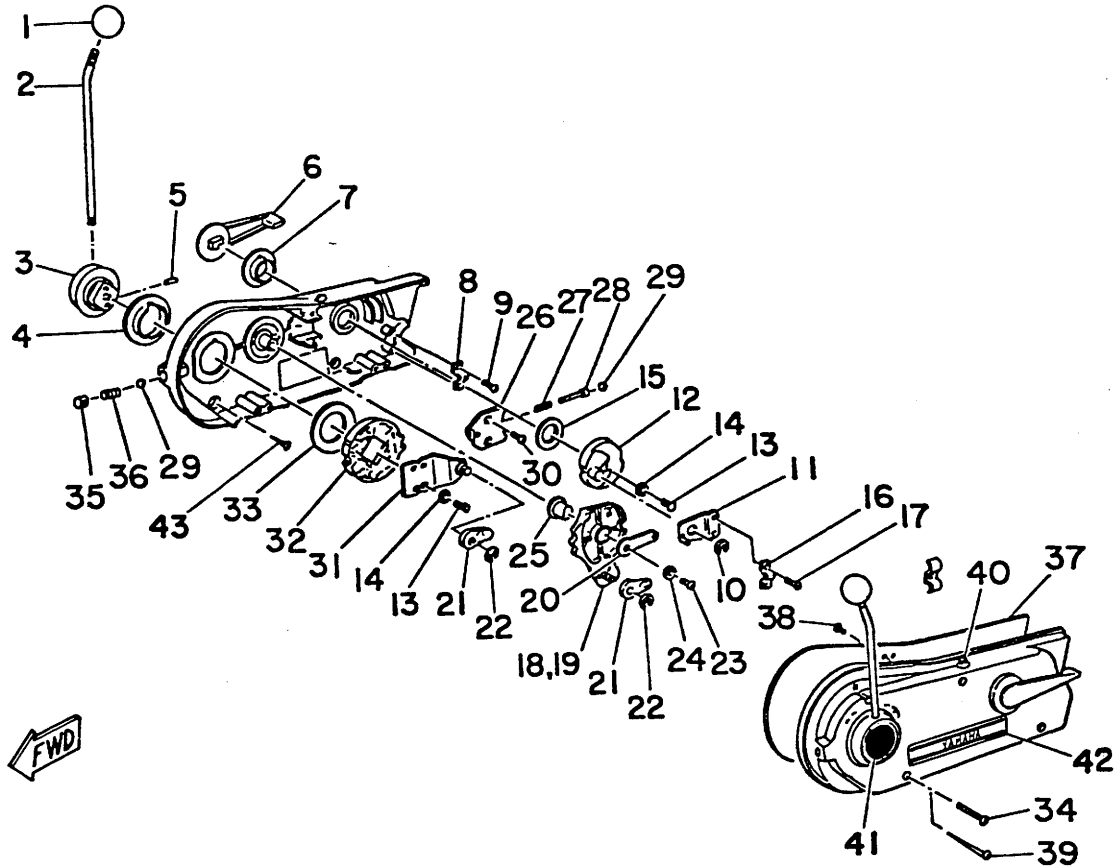
Ref.No.	Parts No.	Description	Q'ty	Ref.No.	Parts No.	Description	Q'ty
REMOTE CONTROL				17	90113-06M01	. BOLT	1
▲ 1	701-48110-11	REMOTE CONTROL ASS'Y 1	1	18	663-44194-00	. CAP	1
▲ 2	701-48110-21	REMOTE CONTROL ASS'Y 2	1	19	95380-06700	. NUT	1
3	701-48110-31	REMOTE CONTROL ASS'Y 3	1	20	91690-40018	. PIN, spring	1
4	701-48110-80	REMOTE CONTROL ASS'Y 8	1	21	90202-10024	. WASHER (10.2Ø-16Ø-0.7mm)	1
5	701-48120-11	REMOTE CONTROL ASS'Y 1	1	22	682-41238-51	. JOINT, link 1	1
6	701-48120-31	REMOTE CONTROL ASS'Y 3	1	23	682-41633-00-94	. LEVER, magneto control 3	1
7	701-48310-10	CABLE, remote control (6F)	2	24	97313-06020	. BOLT	1
	701-48310-20	CABLE, remote control (7F)	2	25	90387-06M02	. COLLAR (9Ø-10Ø-10.5mm)	1
	701-48310-40	CABLE, remote control (8F)	2	26	90387-06298	. COLLAR (6.5Ø-17Ø-1.6mm)	1
	701-48310-60	CABLE, remote control (9F)	2	27	682-41237-50	. JOINT, link 2	1
	701-48310-90	CABLE, remote control (11F)	2	28	682-41237-00	. JOINT, link 2	1
	701-48320-00	CABLE, remote control (12F)	2	29	95380-05700	. NUT	1
	701-48320-20	CABLE, remote control (13F)	2	30	682-48340-50	. CABLE END ASS'Y (Throttle)	1
	701-48320-30	CABLE, remote control (14F)	2	31	682-48344-50	. . CABLE END, remote control 1	1
	701-48320-50	CABLE, remote control (15F)	2	32	617-48361-90	. . HOOK, cable	1
	701-48320-60	CABLE, remote control (16F)	2	33	90501-10264	. . SPRING	1
	701-48320-80	CABLE, remote control (17F)	2	34	92990-08600	. . WASHER	1
	701-48320-90	CABLE, remote control (18F)	2	35	91690-30012	. . PIN, spring	1
REMOTE CONTROL ATTACHMENT				36	682-48330-50	. CABLE END ASS'Y (Shift)	1
8	682-48501-01	ATTACHMENT ASS'Y (Rope Type) (Ref. No. 9 to 42)	1	37	682-48346-50	. . CABLE END, remote control 3	1
	682-48501-11	ATTACHMENT ASS'Y (Ball Post Type) (Ref. No. 9 to 41, 43 to 47)	1	38	617-48331-90	. . HOOK, cable	1
9	682-48531-51	. BRACKET, remote control 1	1	39	90501-10071	. . SPRING	1
10	682-48538-50	. CLAMP, cable	2	40	92990-08600	. . WASHER	1
11	91690-30012	. PIN, spring	2	41	91690-30012	. . PIN, spring	1
12 *	97395-06016	. BOLT	2	ROPE TYPE			
※	97375-06016	. BOLT	2	42	700-48510-12	. STEERING HOOK ASS'Y	1
13	92990-06600	. WASHER	2	BALL POST TYPE			
14	682-41631-50-94	. LEVER, magneto control 1	1	43	676-48511-10	. HOOK, steering	1
15	90386-10009	. BUSHING	2	44	97375-10040	. BOLT	1
16	682-41632-50-94	. LEVER, magneto control 2	1	45	92990-10100	. WASHER	1
				46	92990-10600	. WASHER	1
				47	95380-10600	. NUT	1

* New parts number

※ Not shown

▲ See Fig. 18 for detail service parts.

Fig. 18 REMOTE CONTROL ASS'Y



Ref.No.	Parts No.	Description	Q'ty Single Twin	Ref.No.	Parts No.	Description	Q'ty Single Twin
*	701-48110-11	REMOTE CONTROL ASS'Y 1 (See Fig. 17, Ref. No. 1)	1 -	21	701-48345-30	. CABLE END, remote control	2 4
*	701-48110-21	REMOTE CONTROL ASS'Y 2 (See Fig. 17, Ref. No. 2)	- 1	22	93430-06024	. CIRCLIP (E-60)	2 4
1	701-48118-10	. GRIP, shift lever	1 2	23	90140-05008	. SCREW	1 2
2	701-48137-10	. LEVER, control	1 2	24	92990-05300	. WASHER, tooth	1 2
3	701-48114-10	. BOSS, control lever	1 2	25	701-48165-10	. BUSHING	1 2
4	701-48116-10	. BUSHING	1 2	26	701-48189-10	. RETAINER	1 2
5	701-48127-10	. SCREW	1 2	27	701-48159-10	. SPRING 2	1 2
6	701-48152-10	. KNOB, free accel.	1 2	28	701-48155-10	. PLUNGER	1 2
7	701-48191-10	. WASHER 1 <i>Bushing</i>	1 2	29	93503-08025	. BALL, steel	2 4
8	701-48352-10	. ANCHOR, cable	1 2	30	90141-05005	. SCREW	2 4
9	90146-05004	. SCREW, ovalhead	2 4	31	701-48132-10	. LEVER, throttle 2	1 2
10	93430-10025	. CIRCLIP (E-100)	1 2	32	701-48131-10	. LEVER, throttle 1	1 2
11	701-48133-10	. PLATE, link	1 2	33	701-48196-10	. WASHER, wave	1 2
12	701-48153-10	. SHAFT, free accel.	1 2	34	90141-05006	. SCREW	- 3
13	90146-06003	. SCREW, ovalhead	3 6	35	701-48171-10	. BOLT	1 2
14	92990-06300	. WASHER, tooth	3 6	36	701-48158-10	. SPRING	1 2
15	701-48191-10	. WASHER 1	1 2	37	701-48119-10	. COVER	1 1
16	701-48352-10	. ANCHOR, cable	1 2	38	90140-05009	. SCREW	3 -
17	90146-05004	. SCREW, ovalhead	2 4	39	90130-05003	. SCREW	3 -
18	701-48148-10	. LEVER, shift	- 1	40	701-82550-51	. STOP SWITCH ASS'Y	1 2
19	701-48136-10	. LEVER, shift	1 1	41	701-48125-51	. MARK 1	1 1
20	701-48147-10	. PLATE, lock	1 2	42	701-48126-51	. MARK 2	1 1
				43	90130-05002	. SCREW	3 3

* Not shown

Fig. 19 ACCESSORY PARTS I -1980

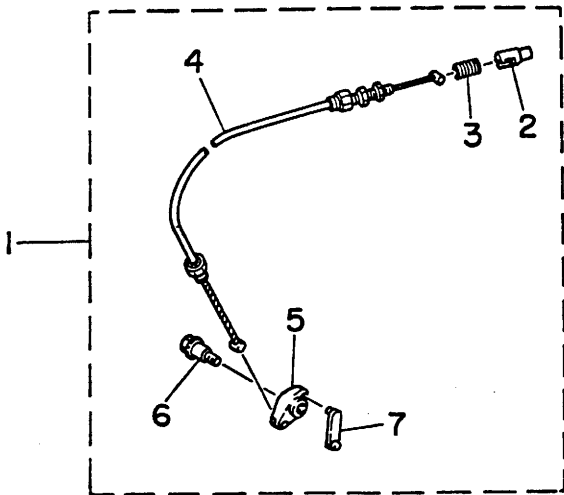


Fig. 11, Ref. No. 11

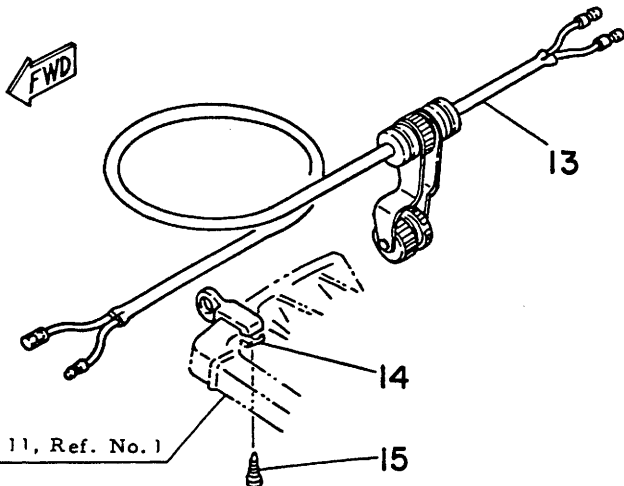
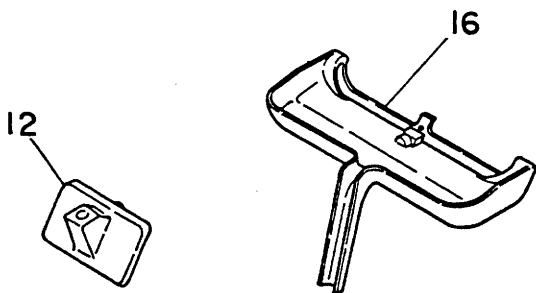
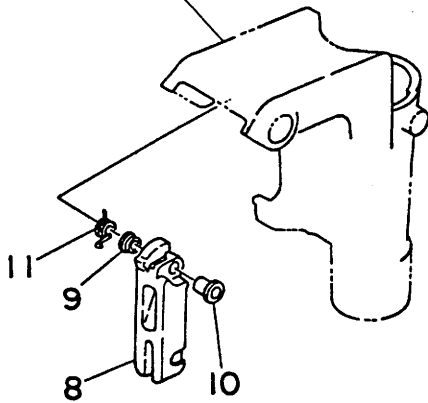


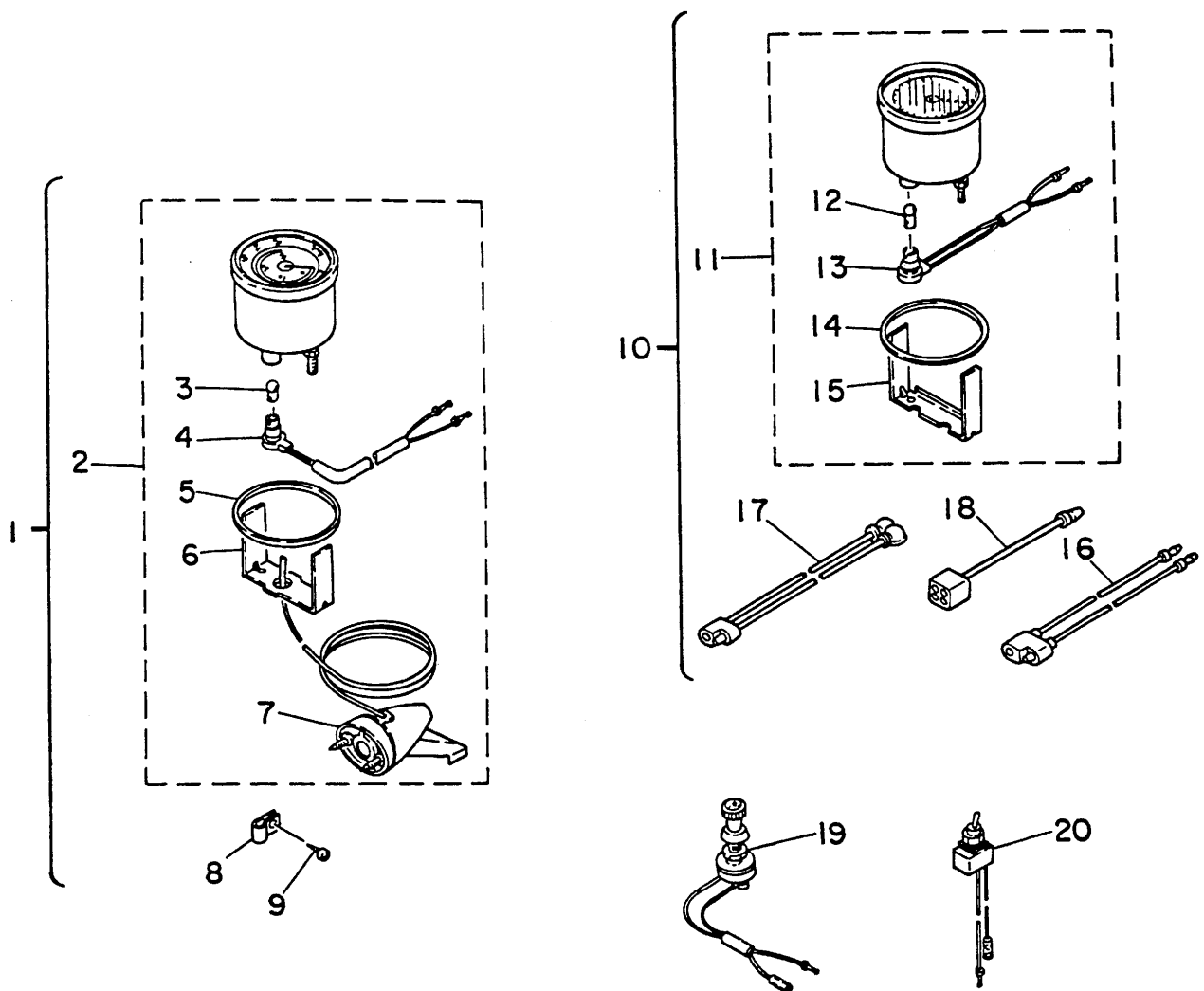
Fig. 11, Ref. No. 1

Ref.No.	Parts No.	Description	Q'ty
SAFETY STARTER			
1	682-W0079-00	SAFETY STARTER KIT	1
2	656-15748-00	. PLUNGER, starter stop	1
3	90501-10227	. SPRING, compression	1
4	682-15770-00	. WIRE COMP., starter stop	1
5	682-15746-00	. ARM	1
6	90109-06M04	. BOLT	1
7	682-15747-00	. LINK	1
CARRYING HANDLE			
8	682-42731-01-F6	CARRYING HANDLE	1
9	90386-10025	BUSHING	1
10	90386-10045	BUSHING	1
11	90508-16M04	SPRING, tension	1
VERTICAL HANDLE			
12	677-15758-81-F6	GUIDE, wire	1
CONCENT 2P			
13	682-84380-00	CONCENT 2P ASS'Y	1
14	682-84387-00	HOLDER	1
15	97780-50512	SCREW	1
GUIDE (Water Proof)			
▶ 16 *	682-14458-00	GUIDE	1
The following parts are not used when using the concent 2P.			
2-20	682-42724-00	GROMMET 1	1

▶ { 15B S: 004181 and up 15BE S: 250116 and up
 L: 304016 and up L: 550116 and up
 SUL: 800101 and up SUL: 800101 and up
 15C S: 008131 and up 15CE S: 250661 and up
 L: 308831 and up L: 551011 and up
 SUL: 800606 and up SUL: 880146 and up

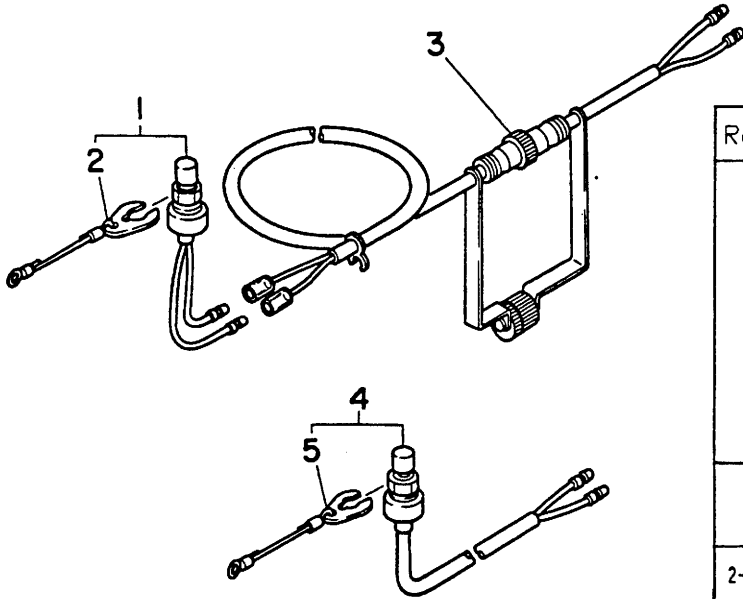
* New parts number

Fig. 20 ACCESSORY PARTS 2 -1980



Ref.No.	Parts No.	Description	Q'ty	Ref.No.	Parts No.	Description	Q'ty
SPEEDOMETER							
1	688-W0081-00	SPEEDOMETER KIT	15	11	688-83540-00	TACHOMETER ASS'Y	1
2	688-83510-00	SPEEDOMETER ASS'Y	1	12	688-83516-00	BULB (12V-1.7W)	1
3	688-83516-00	BULB (12V-1.7W)	1	13	688-83536-00	SOCKET, meter	1
4	688-83536-00	SOCKET, meter	1	14	688-83577-00	DAMPER	1
5	688-83577-00	DAMPER	1	15	688-83544-00	PLATE, fitting	1
6	688-83514-00	PLATE, fitting	1	16	676-82553-G0	EXTENSION, wire lead	1
7	688-83556-00	SENDER	1	17	663-82541-09	WIRE, lead	1
8	90601-31402	CLIP, nylon 14	5	18	676-82529-G0	CONNECTOR	2
9	97780-40116	SCREW, panhead tapping	5	LAMP SWITCH			
TACHOMETER				19	688-82520-00	LAMP SWITCH ASS'Y	1
10	676-W0080-01	TACHOMETER KIT	15	20	688-82560-00	SWITCH, lamp	1

Fig. 21 ACCESSORY PARTS 3 -1980



Ref.No.	Parts No.	Description	Q'ty
KILL SWITCH (5m)			
1	695-82575-10	KILL SWITCH ASS'Y	1
2	663-82556-70	. STOPPER	1
3	695-82553-20	EXTENSION, wire lead	1
KILL SWITCH			
4	695-82575-00	KILL SWITCH ASS'Y	1
5	663-82556-70	. STOPPER	1
The following parts are not used when using the kill switch ass'y.			
2-37	664-82550-01	STOP SWITCH ASS'Y	1

Ref.No.	Parts No.	Description	Q'ty
RECTIFIER			
6	648-81970-41	RECTIFIER ASS'Y	1
7	648-81977-40	. BULB, rectifier (12V-3W)	1
8	648-81978-40	. LENS, rectifier	1
9	648-82151-41	. FUSE, rectifier (12V-7A)	1
10	676-81970-00	RECTIFIER ASS'Y	1
11	663-82151-00	. FUSE (12V-20A)	1
12	97803-05025	SCREW, panhead	1
13	682-15771-40-94	STAY	1
VOLTAGE REGULATOR			
14	663-81910-10	VOLTAGE REGULATOR ASS'Y	1

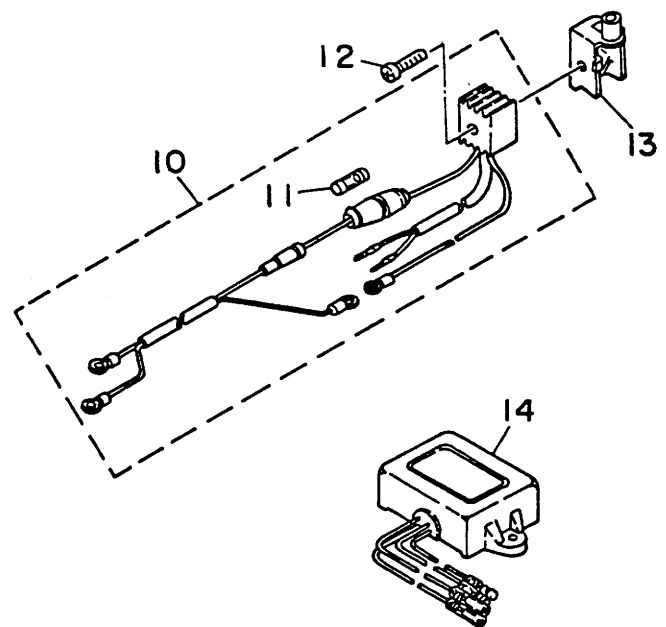
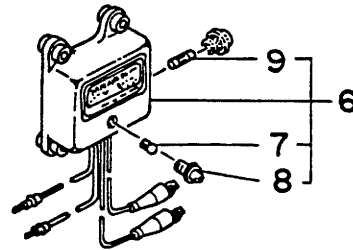
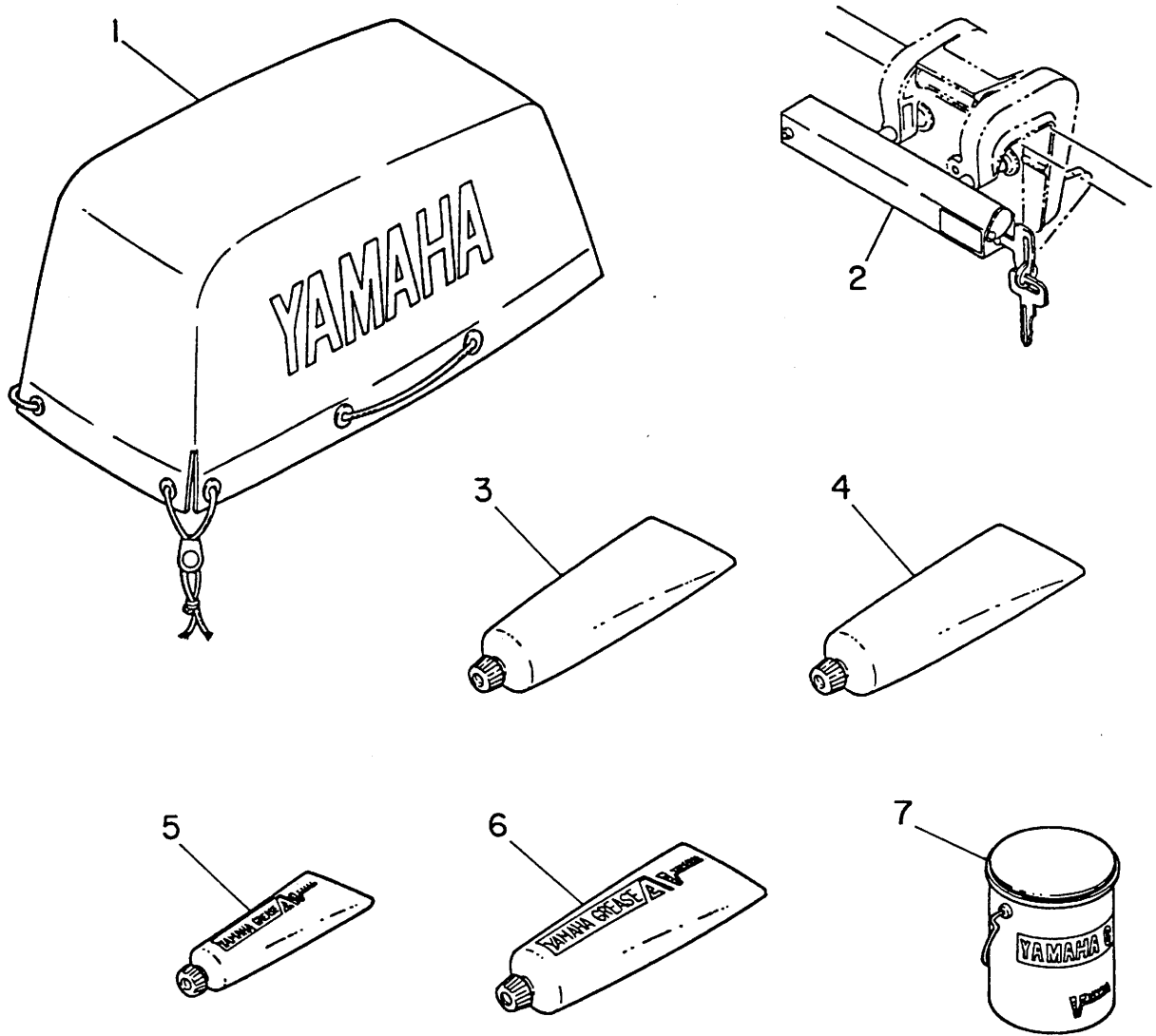
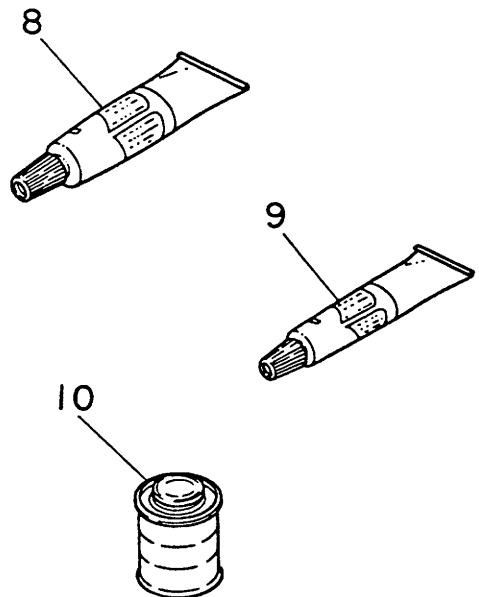


Fig. 22 ACCESSORY PARTS 4 -1980



Ref.No.	Parts No.	Description	Q'ty
1	90890-56874	ENGINE COVER	1
2	90890-46000	OUT BOARD LOCK	1
3	YM9-27837-61-2M	ANTI-CORROSION GREASE	U.R.
4	90890-69908	YAMAHA GREASE C (150g)	U.R.
YAMAHA GREASE			
5	90890-69910	YAMAHA GREASE A (50g)	} U.R.
6	90890-69911	YAMAHA GREASE A(250g)	
7	90890-69912	YAMAHA GREASE A (4Kg)	
YAMAHA BOND			
8	90890-05143	YAMAHA BOND 4 (200g)	} U.R.
9	90890-05144	YAMAHA BOND 5 (150g)	
10	90890-05074	YAMAHA BOND 7 (100g)	



NUMERICAL INDEX

Parts No.	Ref. No.	Parts No.	Ref. No.	Parts No.	Ref. No.	Parts No.	Ref. No.	Parts No.	Ref. No.
YM9-27837-61-2M	22- 3	646-14212-01	5-45	656-24202-90-24	13- 1	677-15710-00-F6	1- 2	682-11630-10	4-51
1J2-14398-00	5-41	647-14323-00	5-44	656-24241-03	13- 8	677-15710-01-F6	1- 1	682-11630-20	4-51
164-81246-21	3-12	647-14326-00	5-48	656-24244-01	13- 2	677-15711-00-94	1- 4	682-11631-00-96	4-52
	15-12	647-14342-25	5-31	656-24245-00	13- 3	677-15714-00-94	1- 7	682-11631-00-97	4-52
207-81331-10	3-11	647-14385-00	5-36	656-24248-00	13- 4	677-15717-00	1-10	682-11631-00-98	4-52
	15-11	647-81325-11	3-10	656-24275-03	13- 6	677-15741-01	1-15	682-11635-00	4-52
367-14195-00	5-34	647-81325-11	15-10	656-42126-01	12-22	677-15758-00-F6	1-21	682-11636-00	4-52
6A0-15789-00	1-25	648-15773-00	1- 5	656-43165-01	11-35	677-15758-01-F6	1-20	682-11650-01	4-72
606-42591-00	11-85	648-42528-00	11-14	656-45943-61-36	7-10	677-15758-81-F6	19-12	682-11681-00	4-41
616-43118-00-F6	11-21	648-43114-01	11-24	661-41262-02	5-54	677-15762-00	1-22	682-12413-00-94	4-23
617-48331-90	17-38	648-43116-01	11-23	663-24264-00	13- 9	677-24411-01	5-59	682-12414-00	4-24
617-48361-90	17-32	648-45633-00	9-45	663-24268-00	13- 7	677-24413-01	5-64	682-13610-00	5-14
619-15755-01	1-18		10-44	663-24275-09	13- 6	677-24434-01	5-58	682-13621-00	5-16
624-14485-00	4- 3	648-45941-61-36	7-10	663-24310-61	13-12	677-24435-01	5-62	682-14416-00	5- 5
626-14386-00	5-37	648-81970-41	21- 6	663-24397-00	13-15	677-24444-00	5-65	682-14417-01	5- 2
626-14387-00	5-35	648-81977-40	21- 7	663-44194-00	17-18	677-24471-01	5-63	682-14417-02	5- 1
626-14390-90	5-33	648-81978-40	21- 8	663-45119-00	11-13	677-41226-00	5-52	682-14418-00	5- 4
626-28193-01-94	13-35	648-82151-41	21- 9	663-81910-10	21-14	677-81303-60	3- 7	682-14418-01	5- 3
626-43136-00	11-26	650-11370-00	4- 4	663-82151-00	16-14		15- 7	682-14458-00	19-16
626-44365-01	7- 6	650-11651-03	4-40		21-11	677-81311-10	3- 4	682-14483-00	5- 6
	8-11	650-14321-00	5-46	663-82370-01	3-42		15- 4	682-14488-00	5- 7
626-45316-09	9-31	650-14485-02	4- 5	663-82541-09	20-17	677-82310-11	3-34	682-14488-01	5- 7
	10-30	650-24351-00	13-19	663-82556-70	21- 2	677-82310-12	3-33	682-15100-00-94	4- 2
626-45317-09	9- 3	650-24360-01	13-16		21- 5	677-82320-11	3-36	682-15100-01-94	4- 2
	10- 3	650-24378-00	2-19	663-85518-00	3-13	677-82320-12	3-35	682-15359-00-94	4-63
626-45533-01-11	9-37	650-45567-00-10	9-51		12-34	677-82370-00	3-44	682-15711-71-94	1- 3
	10-36	650-45567-00-12	9-51		15-13	682-W0001-00	4-73	682-15746-00	19- 5
626-45533-01-12	9-37	650-45567-00-14	9-51	664-42119-00	12-12	682-W0001-01	4-73	682-15747-00	19- 7
	10-36	650-45570-00	9-50	664-44366-01	10-26	682-W0001-20	9-58	682-15761-00	2-12
626-45533-01-13	9-37	650-45616-01	7- 8	664-81970-60	16-11	682-W0001-21	9-58	682-15761-01	2-11
	10-36	650-45635-00	9-46	664-82550-01	2-37	682-W0004-00	5-15	682-15770-00	19- 4
626-45533-01-14	9-37		10-45	670-28100-60	13-34	682-W0070-01	2- 2	682-15771-00-94	1-31
	10-36	650-45941-01-36	7-10	676-W0080-01	20-10	682-W0078-0A	9-60	682-15771-01-94	1-30
626-45551-00	9-38	650-45941-60-36	7-10	676-11372-00	4-30		10-59	682-15771-40-94	16-16
	10-37	650-45943-01-36	7-10	676-43373-00	11-17	682-W0078-00	9-59	682-15771-40-94	21-13
626-45560-01	9-42	650-45943-60-36	7-10	676-45214-00-94	9- 6		10-58	682-24412-00	5-61
	10-41	650-45945-00-36	7-10	676-45251-00	9- 7	682-W0079-00	19- 1	682-24421-00	5-60
626-45577-00-01	9-41	650-45945-60-36	7-10	676-48511-10	17-43	682-11181-00	4-19	682-24566-00	13-29
	10-40	650-81321-10	3- 9	676-81970-00	21-10	682-11325-00	4-16	682-41111-00-94	4-27
626-45577-00-03	9-41		15- 9	676-82529-60	20-18	682-11351-00	4-71	682-41112-00	4-28
	10-40	651-45947-00-36	7-10	676-82553-60	20-16	682-11351-01	4-71	682-41113-00-94	4-29
626-45577-00-05	9-41	651-45947-60-36	7-10	676-82594-00	16- 5	682-11400-00	4-35	682-41116-00-94	6- 8
	10-40	653-45941-01-36	7-10	677-W0093-00	5-66	682-11412-00	4-36	682-41131-00-94	6-10
626-45926-00-36	7-10	654-14334-00	5-47	677-12411-00	4-21	682-11422-00	4-37	682-41133-00	6-11
626-45926-60-36	7-10	655-14398-00	5-43	677-14157-01	5-55	682-11432-00	4-38	682-41210-00	5-49
626-45943-02-36	7-10	655-24304-01	13-20	677-14198-00	5-19	682-11442-00	4-39	682-41213-01-94	3-22
626-45945-01-36	7-10	655-24305-01	13-13	677-14227-01	5-56	682-11445-00	4-62	682-41219-00	5-53
626-45945-60-36	7-10	655-24521-00	13-27	677-14325-00	5-57	682-11515-01	4-46	682-41237-00	12-38
626-45949-01-36	7-10	655-24560-00	13-23	677-14327-00	5-50	682-11525-00	4-49		17-28
626-45949-60-36	7-10	655-24563-00	13-25	677-14343-51	5-40	682-11610-00	4-53	682-41237-50	17-27
630-24329-00	13-10	655-24564-00	13-24	677-14381-00	5-39	682-11610-10	4-53	682-41238-00	12-37
634-11633-00	4-54	656-15748-00	19- 2	677-14384-00	5-38	682-11610-20	4-53	682-41238-51	17-22
646-11370-00	4- 6	656-24202-04-24	13- 1	677-15705-01	1-14	682-11630-00	4-51	682-41252-01	5-26

153

NUMERICAL INDEX

Parts No.	Ref. No.	Parts No.	Ref. No.	Parts No.	Ref. No.	Parts No.	Ref. No.	Parts No.	Ref. No.
682-41263-00	5-28	682-43181-01	11-57	682-44352-00	9-25	682-45611-00	9-48	683-45251-00	8- 4
682-41267-00	5-27	682-43181-02	11-57		10-19	682-45631-00	9-43	683-45300-00-F6	10- 1
682-41271-00	5-24	682-43311-01-F6	11-11	682-44352-40	9-64		10-42	683-45300-10-F6	10- 1
682-41273-00	5-25	682-43311-02-F6	11-11		10-63	682-48330-50	17-36	683-45311-00-F6	10- 2
682-41291-00	5-51	682-43318-00	11-64	682-44361-00	7- 5	682-48340-50	17-30	683-45315-00	10-33
682-41611-00	4-60	682-43339-01	11-63		8-10	682-48344-50	17-31	683-45361-00-F6	10-52
682-41612-00	4-58	682-43611-00	11-50	682-44361-10	7- 5	682-48346-50	17-37	683-45571-00	10-49
682-41613-00	3-20	682-43614-00	11-48		8-10	682-48501-01	17- 8	683-45611-00	10-47
682-41613-01	3-20	682-43615-00	11-49	682-44361-30	7- 5	682-48501-11	17- 8	683-45941-00-36	8-16
682-41615-00	4-34	682-43616-00	11-43		8-10	682-48531-51	17- 9	683-45943-00-36	8-16
682-41616-00	3-27	682-43617-00	11-47	682-44365-00	9-21	682-48538-50	17-10	683-45945-00-36	8-16
682-41631-00-94	12-33	682-43631-00	11-41		10-15	682-81300-61	3- 1	683-45947-00-36	8-16
682-41631-50-94	17-14	682-43641-00	11-44	682-44366-00	2-28	682-81300-62	3- 1	683-45949-00-36	8-16
682-41632-50-94	17-16	682-43659-00	11-54	682-44367-00	2-26	682-81300-81	15- 1	683-45952-00-36	8-16
682-41633-00-94	17-23	682-43681-00	11-51	682-44514-00-94	11-68	682-81300-82	15- 1	683-45987-00	8-12
682-41661-00	12-35	682-44111-01-94	12-40	682-44521-01	11-67	682-81309-10	3- 3	684-W0090-00	4- 1
682-41666-00	12-50	682-44111-41-94	16-17	682-44522-00	11-75		15- 3	684-W0090-01	4- 1
682-42111-00-F6	12- 1	682-44116-00	12-44	682-44532-00	6-14	682-81315-11	3-14	684-11111-00-94	4-18
682-42116-00	12-26	682-44117-00	12-45	682-44551-01-F6	11-77		15-14	684-14301-03	5-30
682-42123-01	12- 2	682-44118-01	12-49	682-44552-01-F6	11-78	682-81332-02	3-29	684-14301-04	5-30
682-42137-00	12-14	682-44121-00	12-42	682-44555-00	11-84	682-81350-11	3- 2	684-14341-00	5-32
682-42137-01	12-14	682-44124-00	12-52	682-44555-30	11-84	682-81350-51	15- 2	684-42610-01-F6	2- 1
682-42141-01-94	12-19	682-44125-01	12-47	682-44557-00	11-83	682-81362-01	3-16	684-42610-02-F6	2- 1
682-42142-01	12-21	682-44132-00	12-41	682-45111-01-F6	6- 1	682-81800-10	14- 1	684-42678-00	2- 4
682-42151-01	12-28	682-44143-00	12-55	682-45111-11-F6	6- 1	682-81809-10	14- 3	688-W0081-00	20- 1
682-42152-01	12-32	682-44147-00	9-14	682-45113-00	6- 2	682-81810-10	14- 5	688-82520-00	20-19
682-42171-01	12-29		10- 8	682-45113-01	6- 2	682-81811-10	14- 9	688-82560-00	20-20
682-42511-00-F6	11- 1	682-44150-00	9-13	682-45126-00-94	6- 6	682-81812-10	14-10	688-83510-00	20- 2
682-42521-00-F6	11- 5		10- 7	682-45127-00	6- 7	682-81813-10	14- 8	688-83514-00	20- 6
682-42525-00	16- 6	682-44150-10	9-13	682-45158-00-F6	6-21	682-81820-10	14- 6	688-83516-00	20- 3
682-42537-00	11- 7		10- 7	682-45211-30-F6	6-15	682-81822-41-94	14-16	688-83516-00	20-12
682-42613-00-F6	2-13	682-44150-30	9-13	682-45215-00	9- 4	682-81826-10	14-13	688-83536-00	20- 4
682-42615-00	2-17		10- 7	682-45300-00-F6	9- 1	682-81830-10	14-12		20-13
682-42651-01	2- 7	682-44176-00	9-15	682-45300-10-F6	9- 1	682-81832-10	14-11	688-83540-00	20-11
682-42652-00	2- 9		10- 9	682-45311-00-F6	9- 2	682-81833-10	14- 4	688-83544-00	20-15
682-42677-00	2- 3	682-44300-01	9-17	682-45315-00	9-34	682-81840-10	14- 7	688-83556-00	20- 7
682-42681-00	2- 5		10-11	682-45331-00-94	9-30	682-81850-10	14- 2	688-83577-00	20- 5
682-42682-00	2- 6	682-44312-00	9-19	682-45331-00-94	10-29	682-81870-00	16- 1		20-14
682-42683-00	2-38		10-13	682-45331-01-94	9-30	682-83105-01	16- 3	689-15779-00	1-19
682-42711-01-F6	2-18	682-44315-00	9-26	682-45331-01-94	10-29	682-82117-00	16- 2	689-42177-00	12-13
682-42711-02-F6	2-18		10-20	682-45344-00	9-65	682-82117-01	16- 2	695-82553-20	21- 3
682-42716-00	12-27	682-44321-40	9-61		10-64	682-82150-00	16-13	695-82575-00	21- 4
682-42724-00	2-20		10-60	682-45361-00-F6	9-55	682-82316-00	3-37	695-82575-10	21- 1
682-42724-40	16-15	682-44322-00	9-24	682-45375-01	7- 1	682-82370-00	3-43	701-48110-11	17- 1
682-42725-01	2-21	682-44322-00	10-18	682-45375-01	8- 1	682-82594-00	16- 4	701-48110-21	17- 2
682-42726-00	2-22	682-44322-40	10-61	682-45376-01	9-12	682-84380-00	19-13	701-48110-31	17- 3
682-42727-00	2-23		9-62		10- 6	682-84387-00	19-14	701-48110-80	17- 4
682-42731-01-F6	19- 8	682-44323-00	9-27	682-45501-00	9-28	683-W0001-20	10-57	701-48114-10	18- 3
682-42815-00-F6	2-31		10-21	682-45501-00	10-27	683-W0001-21	16-57	701-48116-10	18- 4
682-42816-00	2-34	682-44323-40	9-63	682-45501-10	9-28	683-44362-01	10-22	701-48118-10	18- 1
682-43111-00-F6	11-19		10-62	682-45501-10	10-27	683-44365-01	10-25	701-48119-10	18-37
682-43112-01-F6	11-20	682-44328-00	9-18	682-45501-30	9-28	683-44373-00	10-23	701-48120-11	17- 5
682-43160-01	11-34		10-12		10-27	683-45214-00	8- 2	701-48120-31	17- 6

15B

NUMERICAL INDEX

Parts No.	Ref. No.	Parts No.	Ref. No.	Parts No.	Ref. No.	Parts No.	Ref. No.	Parts No.	Ref. No.
701-48125-51	18-41	90116-06130	5-21	90340-08014	10- 4	90890-44373	1-17	92990-06600	8- 6
701-48126-51	18-42	90130-05002	18-43	90380-13M02	6-19	90890-46000	22- 2		9- 9
701-48127-10	18- 5	90130-05003	18-39	90386-06M06	12- 9	90890-56874	22- 1		9-57
701-48131-10	18-32	90140-05008	18-23	90386-08032	12-20	90890-69908	22- 4		10-54
701-48132-10	18-31	90140-05009	18-38	90386-10009	17-15	90890-69910	22- 5		11- 4
701-48133-10	18-11	90141-05005	18-30	90386-10025	19- 9	90890-69911	22- 6		11-32
701-48136-10	18-19	90141-05006	18-34	90386-10045	19-10	90890-69912	22- 7		11-61
701-48137-10	18- 2	90146-05004	18- 9	90386-12M07	12- 5	91490-16010	12-60		11-71
701-48147-10	18-20		18-17	90386-12069	2-32	91490-20010	12-53		12- 7
701-48148-10	18-18	90146-06003	18-13	90386-25M05	1- 9	91490-20015	11-40		12-24
701-48152-10	18- 6	90161-06M00	16- 7	90386-40M08	11-10	91490-25020	12-43		17-13
701-48153-10	18-12	90170-06015	12-57	90386-40M09	11- 8		12-48	92990-08600	6- 5
701-48155-10	18-28	90170-12066	3-18	90387-06M02	17-25	91490-30020	8-15		6-18
701-48158-10	18-36	90171-08M00	11-38	90387-06M10	11-53	91490-30022	8-15		7- 4
701-48159-10	18-27	90171-10M01	8-14	90387-06M28	11-30	91490-30030	7- 9		8- 9
701-48165-10	18-25	90185-06062	12-25	90387-06298	17-26	91609-20008	4-47		11-16
701-48171-10	18-35	90185-08M00	11-74	90387-16M08	9-36	91690-30008	11-36		11-39
701-48189-10	18-26	90201-04015	2-16		10-35	91690-30012	17-11		11-81
701-48191-10	18- 7	90201-06043	4-15	90430-08020	9-11		17-35		12-11
701-48191-10	18-15	90201-06043	4-33		10- 5		17-41		17-34
701-48196-10	18-33	90201-06060	1-11	90445-07M08	4- 7	91690-40018	17-20		17-40
701-48310-10	17- 7	90201-06068	2-35	90445-07M29	4- 9	91690-40020	1- 8	92990-10100	17-45
701-48310-20	17- 7	90201-08M12	11-66	90445-07255	4- 8	91790-05020	12-58	92990-10600	11-28
701-48310-40	17- 7	90201-08M13	11-73	90445-09086	13-31	91830-21014	1-29		17-46
701-48310-60	17- 7	90201-08086	4-13	90445-09095	4-31	92903-05100	3- 6	93101-13M08	4-66
701-48310-90	17- 7	90201-10M14	8-13	90445-09097	13-32		15- 6	93101-17054	9-53
701-48320-00	17- 7	90201-12181	12- 8	90445-12M04	13-17	92903-05600	3-24		10-56
701-48320-20	17- 7	90201-12472	3-19	90445-12155	13-18		5-12	93101-20M02	4-65
701-48320-30	17- 7	90201-14377	4-56	90460-42M01	11-76		5-12	93101-20048	9-33
701-48320-50	17- 7	90201-17682	9-49	90464-07M01	16- 8		12-54	93101-20048	10-32
701-48320-60	17- 7		10-48	90464-07015	3-41	92903-06100	1-24	93104-13051	4-67
701-48320-80	17- 7	90201-21567	4-22	90465-06038	3-15		3-40		4-67
701-48320-90	17- 7	90202-10024	17-21	90465-08M06	5-67	92903-06200	12-31	93110-23M00	4-61
701-48345-30	18-21	90202-12031	12- 3	90467-06016	4-10	92903-06600	1-28	93210-04M12	2-29
701-48352-10	18- 8	90202-13M02	11-72	90467-08004	13-33		1-33	93210-08287	13-14
701-48352-10	18-16	90206-10M04	11-62	90468-10005	5-29		2-25	93210-12M11	2-27
700-48510-12	17-42	90206-12M06	12- 4	90501-10071	17-39		3-31	93210-37M25	13-26
701-82550-51	18-40	90206-12052	2-33	90501-10227	19- 3		4-26	93210-40M10	11- 9
802-24610-00	13- 5	90209-20159	4-43	90501-10264	17-33		5-18	93210-53M08	4-64
811-77436-00	2-16	90209-52M01	11- 6	90501-14M06	9-47		5-23	93210-57M09	10-51
90101-06M29	11-31	90243-04001	11-22		10-46		13-22	93210-58144	9-54
90101-08M30	11-65	90249-06117	11-45	90501-18M00	11-15		14-20	93304-20500	4-48
90101-10M57	11-25	90250-05010	9-44	90501-23215	12-18		16-10	93306-00501	10-50
90102-08M01	11-37	90250-05010	10-43	90504-59006	11-27	92903-08600	14-15	93306-20309	9-52
90105-07M05	4-20	90250-05011	7- 7	90506-26M01	11-56	92903-10600	12-17	93306-20501	9-40
90109-06M03	11-59	90266-04M00	2- 8	90508-12M03	11-42	92990-05300	18-24	93306-20501	10-39
90109-06M04	12-51	90266-04004	2-10	90508-16M02	11-52	92990-05600	12-59	93306-20514	4-44
	19- 6	90269-02001	12-15	90508-16M04	19-11	92990-06200	9-23	93306-30400	4-50
90109-06M05	11-58	90280-03024	9-29	90510-08002	1- 6		10-17	93310-62059	4-42
90109-08M01	12-10	90280-03024	10-28	90601-31402	20- 8	92990-06300	18-14	93315-31702	10-55
90113-05M00	3-25	90280-05013	3-32	90890-05074	22-10	92990-06600	4-69	93420-30042	6-20
90113-06M01	17-17	90334-10008	9- 5	90890-05143	22- 8		6-13	93430-05027	11-46
90116-06M04	5-20	90340-08014	9-10	90890-05144	22- 9		6-23		11-55

15B

NUMERICAL INDEX

Parts No.	Ref. No.	Parts No.	Ref. No.	Parts No.	Ref. No.	Parts No.	Ref. No.
93430-06M02	1-16	97313-06020	14-18	97395-08055	11-80		
93430-06024	18-22		17-24	97395-08085	11-79		
93430-07012	9-39	97313-06025	3-39	97475-06025	6- 9		
	10-38		14-17	97780-40116	20- 9		
93430-10025	18-10	97313-06030	3-38	97780-40512	9-20		
93440-57M01	4-45		4-14		10-14		
93450-15023	4-57		14-19	97780-50510	9-16		
93503-08025	18-29	97313-06035	1-26		10-10		
93602-14104	4-55	97313-08025	14-14	97780-50512	19-15		
93604-08062	9-35	97313-08040	4-12	97780-50514	5-10		
93604-08062	10-34	97315-06025	4-32	97780-50516	8- 3		
93606-12019	2-30		12- 6	97801-05025	3- 5		
	4-11	97370-05010	3-28		3- 8		
	6- 3	97375-06010	10-24		15- 5		
	6-16	97375-06016	4-68		15- 8		
	7- 2		8- 5	97803-05016	5-11		
	8- 7		9- 8	97803-04005	5-42		
	9-32		17-12	97803-05008	3-21		
	10-31	97375-06020	6-12	97803-05025	16-12		
	11- 2		9-56		21-12		
93700-06004	11-12		10-53	97803-05030	5- 9		
94701-00040	4-70		11-70	97803-06010	3-17		
95303-05600	5-13		12-23		4-59		
95303-05700	12-39	97375-06025	11- 3		12-36		
95303-06600	1-13		11-69	97890-05008	5-68		
95303-06700	5-22	97375-06040	6-22	97890-05030	5- 8		
95303-08700	13-28		9-22	98380-05018	13-11		
95380-05700	3-26		10-16	98680-05025	12-16		
	17-29	97375-08025	11-18	98780-05015	4-17		
95380-06700	6-24	97375-08035	6-17	98780-05016	4-17		
	11-33		7- 3	98980-04012	2-14		
	11-60		8- 8				
	12-56	97375-08040	6- 4				
	17-19	97375-08055	11-80				
95380-08700	11-82	97375-08085	11-79				
95380-10600	17-47	97375-10040	17-44				
95380-10700	11-29	97390-05010	3-28				
95602-04100	2-15	97395-06010	10-24				
97313-05010	3-23	97395-06016	4-68				
97313-06010	2-36		8- 5				
	13-30		9- 8				
97313-06012	12-46		17-12				
97313-06016	1-23	97395-06020	6-12				
	3-30		9-56				
	5-17		10-53				
	12-30		11-70				
	16- 9		12-23				
97313-06020	1-12	97395-06025	11- 3				
	1-27		11-69				
	1-32	97395-06040	6-22				
	2-24		9-22				
	4-25		10-16				
	13-21	97395-08040	6- 4				



YAMAHA MOTOR CO., LTD.
2500 SHINGAI IWATA-SHI SHIZUOKA-KEN JAPAN

Copyright
All rights reserved.
No part of this publication may be
reproduced without permission.